



Product news
Roxtec ComPlus frame

NEW



Roxtec ComPlus frame
– protects the present, predicts the future

Simple knock-out feature provides protection now and capacity later
Two frame parts build any combination frame

A real knock-out!

Roxtec is proud to present a frame design unique to the marketplace. The new Roxtec ComPlus frame combines complete flexibility with transport protection, lightweight material and cost efficient future capacity.

The new Roxtec ComPlus frame is specifically developed for today's telecom market. It is a lightweight frame made of a durable composite material, and it is well suited for bolting or riveting onto any shelter construction. Assembly and installation is fast and simple for one person to perform, and the low weight ensures easy handling. The ComPlus frame combines all the well-known advantages of existing Roxtec seals

with several new ones, such as the possibility to build combination frames and the integrated knock-out cover feature, giving our customers a fair advantage over competition. ■



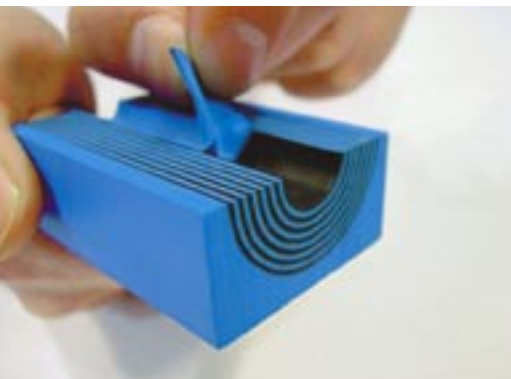
Multidiameter™ technology

The Roxtec sealing system is modular. It creates an intrusion proof cable entry by using adaptable sealing modules together with a frame and a compression unit.

The most extraordinary feature of the Roxtec system is the multidiameter module. The module is made of an EPDM-based rubber, and consists of two halves with removable layers and a center core. When the

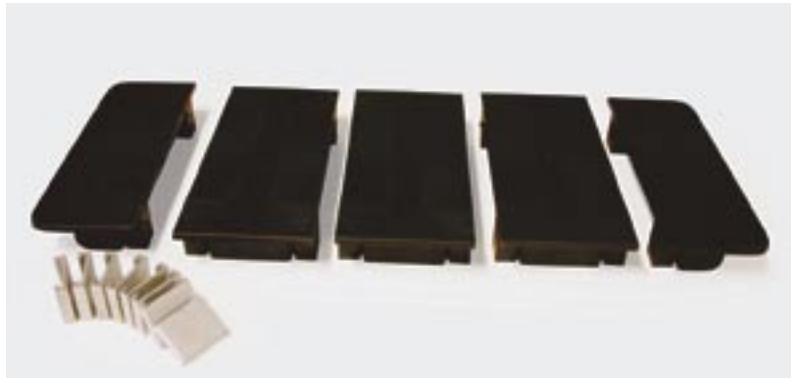
center core is in place the module fits into the system as spare capacity.

Thanks to the multi-layer technique, one single module can seal cables of several different diameters simply by peeling layers away from the module halves until a perfect fit is achieved. ■



Tailor made – every time

The unique design of the Roxtec ComPlus frame allows you to build a frame combination that is perfectly tailored to your needs every time.



With only two different frame parts in stock, you can fashion any combination frame, large or small, with just a few simple moves. Assembly is quick and no special tools or extra parts are required. Planning for future contingencies is as easy as just adding a frame part, and doing so provides for unmatched flexibility and a sealing solution that remains ideal throughout the life-span of your network. ■

All possibilities covered

A knock-out cover carefully integrated in every frame part adds several useful qualities to the Roxtec ComPlus sealing solution.



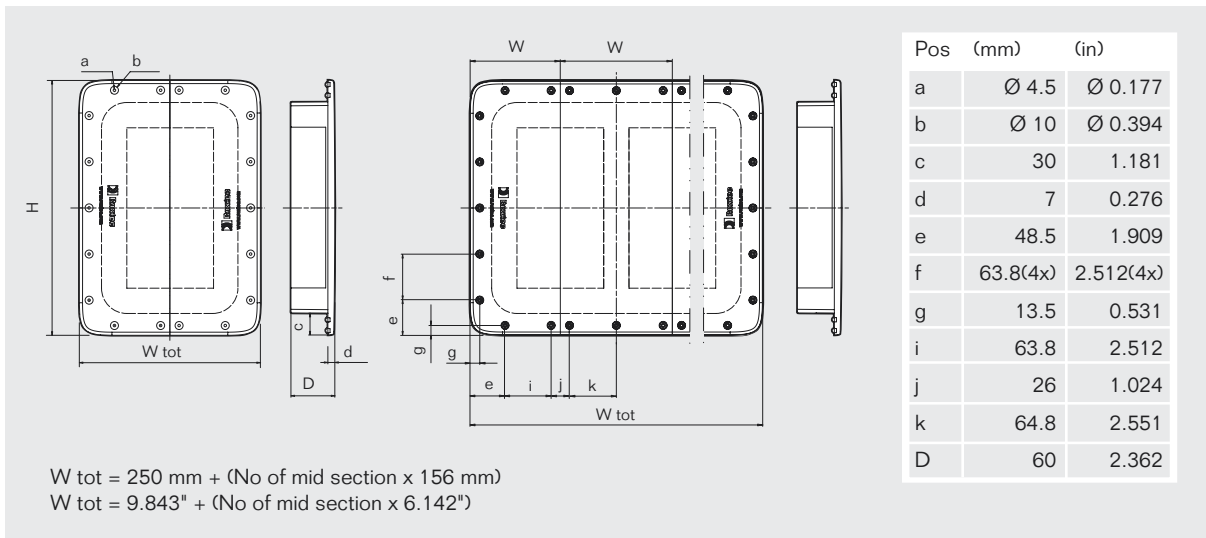
From the moment the frame is installed, the integrated cover protects the integrity of the shelter or construction during stock time and transport. When it is time for cable installation, just give the cover a good tap with a hammer or the handle of any tool, and it will give way for a Roxtec frame opening prepared to be filled with cables and multidiameter modules.

The covers are IP-rated and can also

be kept in one or several frame openings for future needs. This results in superior freedom to expand at any time, and supplies our customers with exceptionally cost efficient spare capacity.

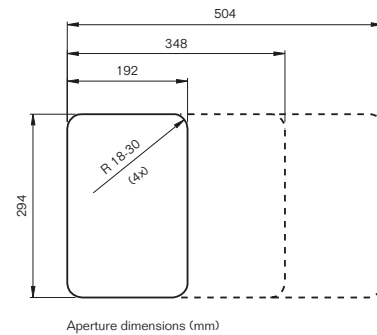
The smooth, non-protruding front of the covered frame does not only lend a professional look to the transit, but also acts as a deterrent for potential vandals. ■

Roxtec ComPlus – technical specifications



Dimensions

Type of frame:	6x1	6x2	6x3
Height, incl. flange (mm):	352	352	352
Width, incl. flange (mm):	250.5	406	561.5
Depth (mm):	60.5	60.5	60.5
Packing space HxW (mm):	180 x 120	2x180 x 120	3x180 x 120
Flange width (mm):	30	30	30
Weight, incl. knock-out plate (kg):	1.6	2.6	3.6
Aperture dimensions (mm):	294 x 192	294 x 348	294 x 504



- Larger combination frames can be built by adding extra frame mid-sections. Each extra opening will add 156 mm width including flange, 1 kg in weight and 156 mm extra width in your aperture dimension.

Material

Frame:	PA 6.6 30% glassfibre
Gaskets:	EPDM rubber and PE

- ComPlus is certified according to IEC 60529 to IP 54.



Roxtec International AB
 Box 540, 371 23 Karlskrona, SWEDEN
 PHONE +46.455.36 67 00, FAX +46.455.820 12
 EMAIL info@roxtec.se, www.roxtec.com