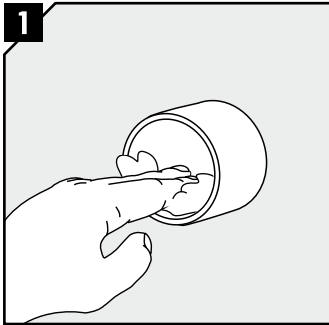
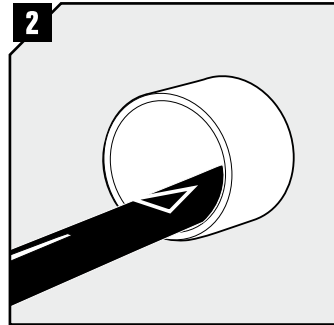


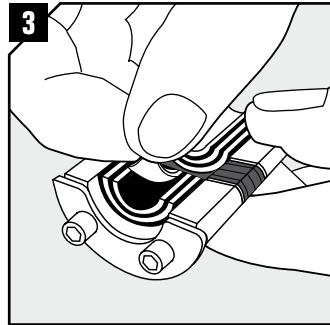
Installation



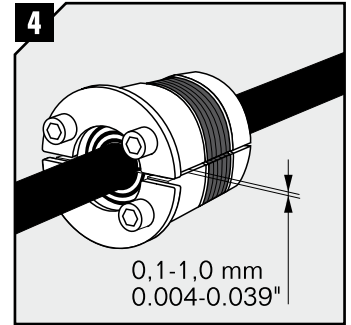
Remove any dirt in the sleeve.



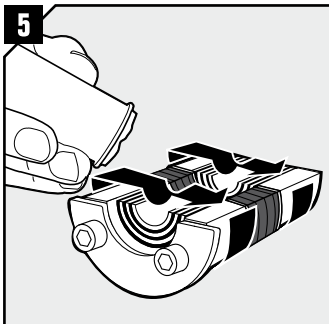
Pull the plastic pipe through.



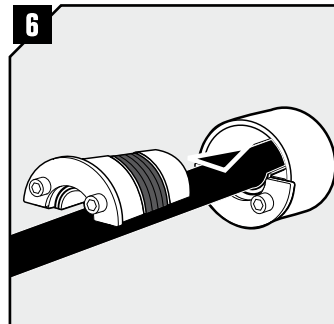
Adapt the seal to the pipe by peeling layers from the halves until you reach the gap seen in pic.4.



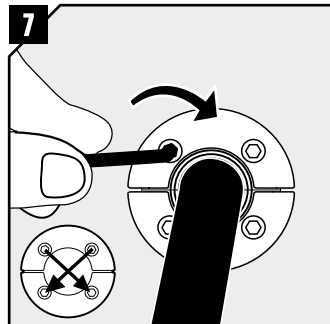
Try to achieve a 0.1-1.0 mm gap between the two halves when held against the pipe.



Lubricate thoroughly on the inside and sparsely on the outside of the rubber surfaces of the seal with Roxtec Lubricant. No need to apply lubricant to the grey intumescent material.



Insert the halves, one by one, into the sleeve.



Tighten the screws crosswise. This will compress and seal the RS PPS/S. Please see table for recommended approx. torque.

Size: RS PPS/S	Rec. Approx. Torque* (Nm)
31	1
43 - 100	4
125 - 150	7

* Torque depends on several things, e.g pipe size, amount of used lubricant or sleeve size.

Disassembly

Reverse order

Note

- For optimum reliability, wait 24 hours or longer after installation before exposing the pipe to strain or pressure.
- Install pipes straight through the seal.

DISCLAIMER

"The Roxtec cable entry sealing system ("the Roxtec system") is a modular-based system of sealing products consisting of different components. Each and every one of the components are necessary for the best performance of the Roxtec system. The Roxtec system has been certified to resist a number of different hazards. Any such certification, and the ability of the Roxtec system to resist such hazards, is dependent on all components that are installed as a part of the Roxtec system. Thus, the certification is not valid and does not apply unless all components installed as part of the Roxtec system are manufactured by or under license from Roxtec ("authorized manufacturer"). Roxtec gives no performance guarantee with respect to the Roxtec system, unless (i) all components installed as part of the Roxtec system is manufactured by an authorized manufacturer and (ii) the purchaser is in compliance with (a), and (b), below.

(a) During storage, the Roxtec system or part thereof, shall be kept indoors in its original packaging at a temperature not exceeding +70°C/+158°F and not below -40°C/-40°F.

(b) Installation shall be carried out in accordance with Roxtec installation instructions in effect from time to time.

The product information provided by Roxtec does not release the purchaser of the Roxtec system, or part thereof, from the obligation to independently determine the suitability of the products for the intended process, installation and/or use.

Roxtec gives no guarantee for the Roxtec system or any part thereof and assumes no liability for any loss or damage whatsoever, whether direct, indirect, consequential, loss of profit or otherwise, occurred or caused by the Roxtec systems or installations containing components not manufactured by an authorized manufacturer.

Roxtec expressly excludes any implied warranties of merchantability and fitness for a particular purpose and all other express or implied representations and warranties provided by statute or common law. User determines suitability of the Roxtec system for intended use and assumes all risk and liability in connection therewith. In no event shall Roxtec be liable for consequential, punitive, special, exemplary or incidental damages."