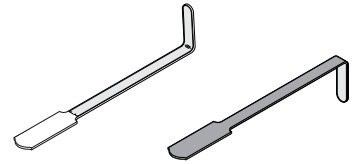
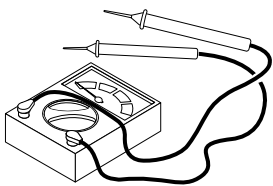


## User manual electrical continuity test stick

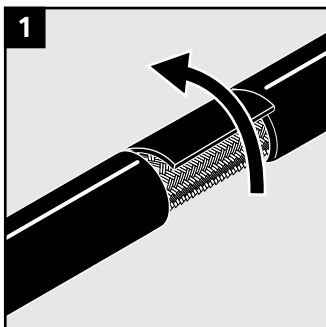


### Tools

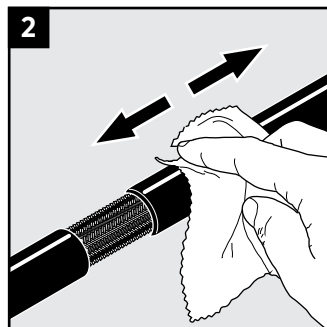


Continuity tester

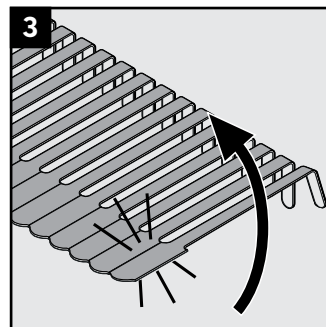
### Installation



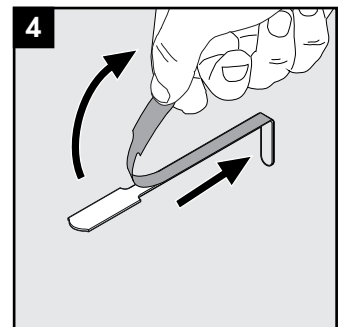
1 Prepare the cable according to your solution's installation instructions.



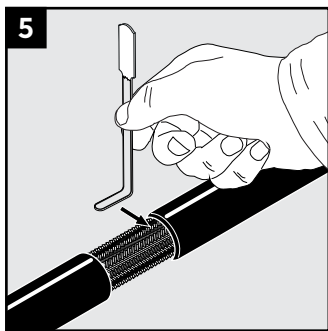
2 Clean the cable jacket.



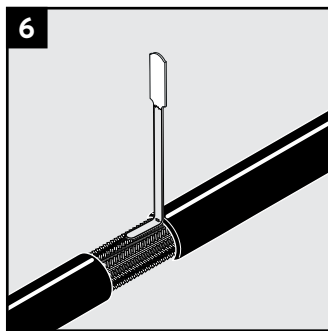
3 Detach a test stick.



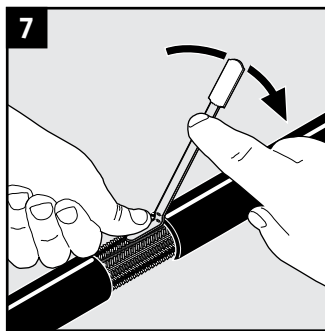
4 Remove the protective film.



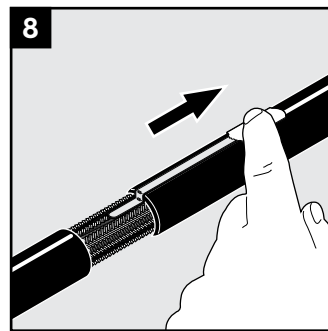
Place the test stick with the adhesive side facing the cable shield/armor.



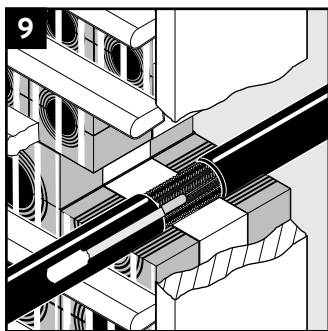
Fasten the self-adhesive stick on the cable shield/armor.



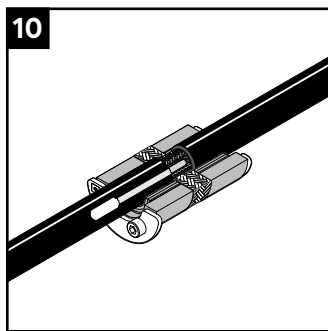
Bend the stick so it follows the shape along the cable jacket.



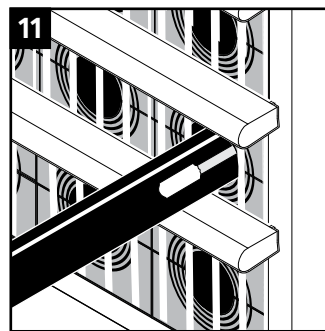
Fasten the self-adhesive test stick along the cable jacket.



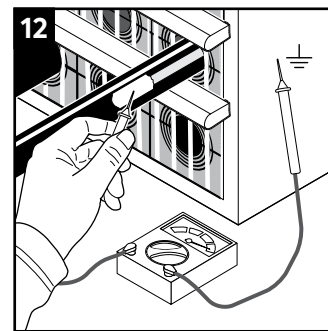
Place the cable in the module.



Test stick can also be placed in a round seal.



The test stick provides a measuring point outside the transit.



The resistance between cable shield/armor and the frame should be less than 100 mΩ. Test all cables in the transit. Maximum measurement current 1A.



Always use the installation instructions supplied with the product.

## Note

- Approvals or certificates may include amendments or limitations related to this application.
- The latest version of this and related documents are found at [roxtec.com](http://roxtec.com).
- For use with modular and non-modular solutions.
- Measurement currents above 1A can cause heating of the stick.

## Disclaimer

"The Roxtec cable entry sealing system ("the Roxtec system") is a modular-based system of sealing products consisting of different components. Each and every one of the components is necessary for the best performance of the Roxtec system. The Roxtec system has been certified to resist a number of different hazards. Any such certification, and the ability of the Roxtec system to resist such hazards, is dependent on all components that are installed as a part of the Roxtec system. Thus, the certification is not valid and does not apply unless all components installed as part of the Roxtec system are manufactured by or under license from Roxtec ("authorized manufacturer"). Roxtec gives no performance guarantee with respect to the Roxtec system, unless (I) all components installed as part of the Roxtec system are manufactured by an authorized manufacturer and (II) the purchaser is in compliance with (a), and (b), below.

(a) During storage, the Roxtec system or part thereof, shall be kept indoors in its original packaging at room temperature.

(b) Installation shall be carried out in accordance with Roxtec installation instructions in effect from time to time.

The product information provided by Roxtec does not release the purchaser of the Roxtec system, or part thereof, from the obligation to independently determine the suitability of the products for the intended process, installation and/or use.

Roxtec gives no guarantee for the Roxtec system or any part thereof and assumes no liability for any loss or damage whatsoever, whether direct, indirect, consequential, loss of profit or otherwise, occurred or caused by the Roxtec systems or installations containing components not manufactured by an authorized manufacturer and/or occurred or caused by the use of the Roxtec system in a manner or for an application other than for which the Roxtec system was designed or intended.

Roxtec expressly excludes any implied warranties of merchantability and fitness for a particular purpose and all other express or implied representations and warranties provided by statute or common law. User determines suitability of the Roxtec system for intended use and assumes all risk and liability in connection therewith. In no event shall Roxtec be liable for indirect, consequential, punitive, special, exemplary or incidental damages or losses.\*



Roxtec International AB  
Box 540, 371 23 Karlskrona, SWEDEN  
+46 455 36 67 00, [info@roxtec.com](mailto:info@roxtec.com)  
[www.roxtec.com](http://www.roxtec.com)