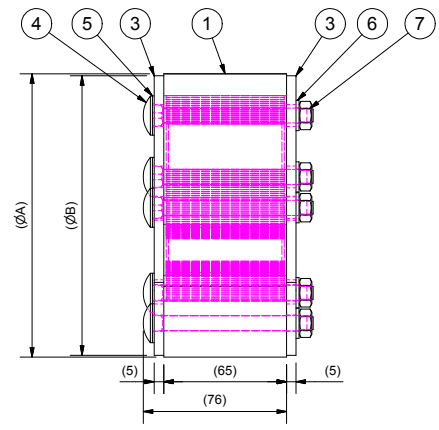
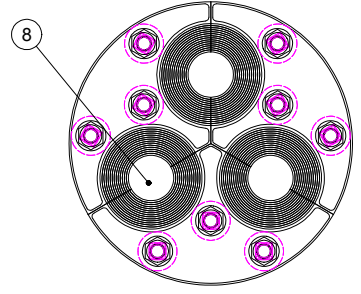
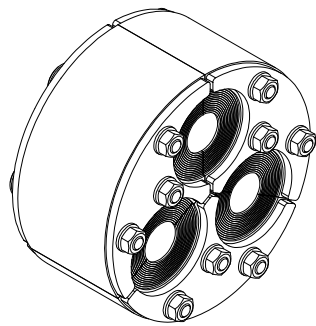
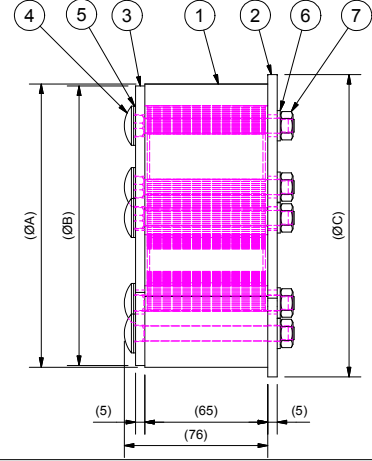
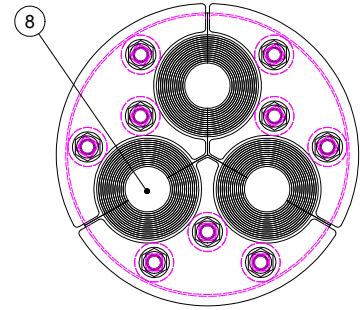
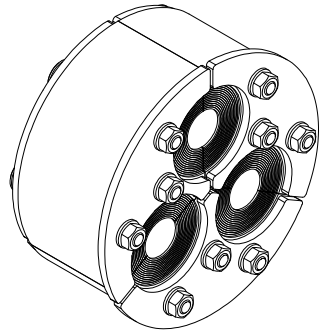
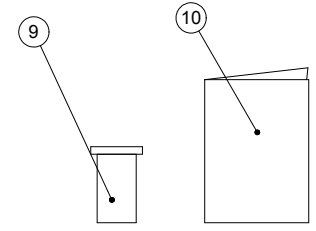


PRODUCT	RANGE	CORE (Y/N)	Ø A (MM)	Ø B (MM)	Ø C (MM)	D (QTY)	E (QTY)	F (QTY)	APERTURE (MM)
H3-150	0+24-54	Y	150	148	160	3	3	3	150-152
H3-150 WOC	24-54	N	150	148	160	3	3	0	150-152
H3-150 INSERTABLE	0+24-54	Y	150	148	N/A	0	6	3	150-152
H3-150 INSERTABLE WOC	24-54	N	150	148	N/A	0	6	0	150-152
H3-200	0+48-70	Y	200	198	200	3	3	3	200-202
H3-200 WOC	48-70	N	200	198	200	3	3	0	200-202
H3-200 INSERTABLE	0+48-70	Y	200	198	N/A	0	6	3	200-202
H3-200 INSERTABLE WOC	48-70	N	200	198	N/A	0	6	0	200-202



(INSERTABLE)



10	1	INSTALLATION INSTRUCTION							
9	1	LUBRICANT	10ML						
8	F	CORE	ROXYLON						
7	9	NUT	M6M M8 ISO 4032 A4						
6	9	WASHER	BRB M8 ISO 7089 A4						
5	9	GASKET MVBF	EPDM						
4	9	SCREW	MVBF M8x85 DIN 603 A4						
3	E	SMALL FITTING	ACID PROOF STAINLESS STEEL						
2	D	LARGE FITTING	ACID PROOF STAINLESS STEEL						
1	3	RUBBER FRAME	ROXYLON						
ITEM QTY		Designation	Specification						
General tolerance: ISO 2768-1,2 msk EN ISO 1106:BF		Welder details: EN ISO 9817-8 Requirements: EN ISO 10042:8	Designed by/date: se-ronpet 2014-05-19		Approved by/date: se-jenboh 2014-05-23		Format: A2	Scale: 1:-	Tolerance: FatWeight
Title: H3 SEAL ASSEMBLY 150-200		www.roxtec.com							Projection method: 1st angle
Restricted due to Information Drawing		Drawing number: S1039325		Rev: A					

Rev	Type of revision	Date	Sign
A			

All rights reserved. Unauthorized reproduction, use or disclosure to third parties is strictly forbidden. 格克赛克保留所有权利。未经授权严禁复制、使用以及向第三方泄漏。