

洛克赛克保留所有权利。未经授权严禁复制、使用以及向第三方泄露。

All rights reserved. Unauthorized reproduction, use or disclosure to third parties is strictly forbidden.

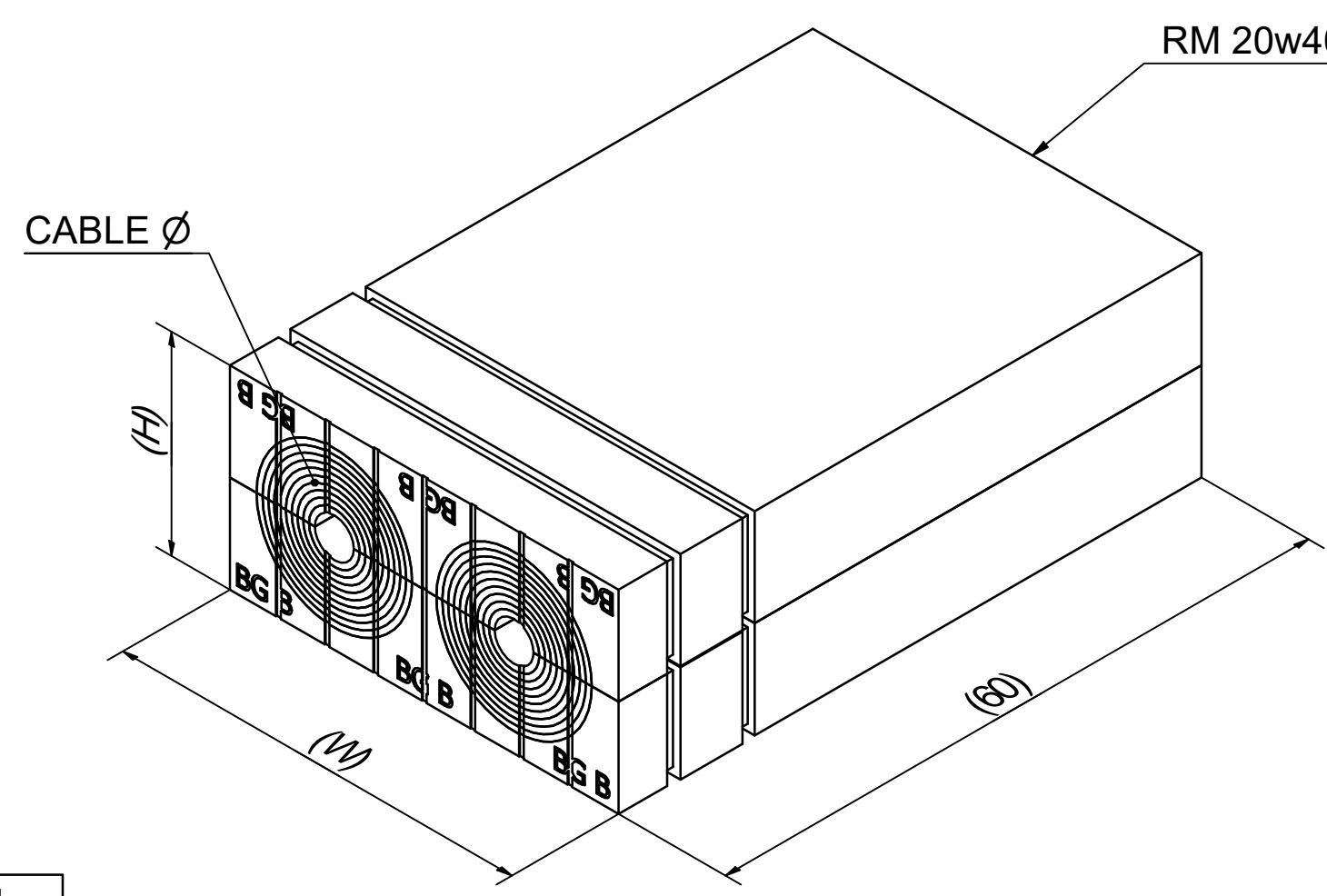
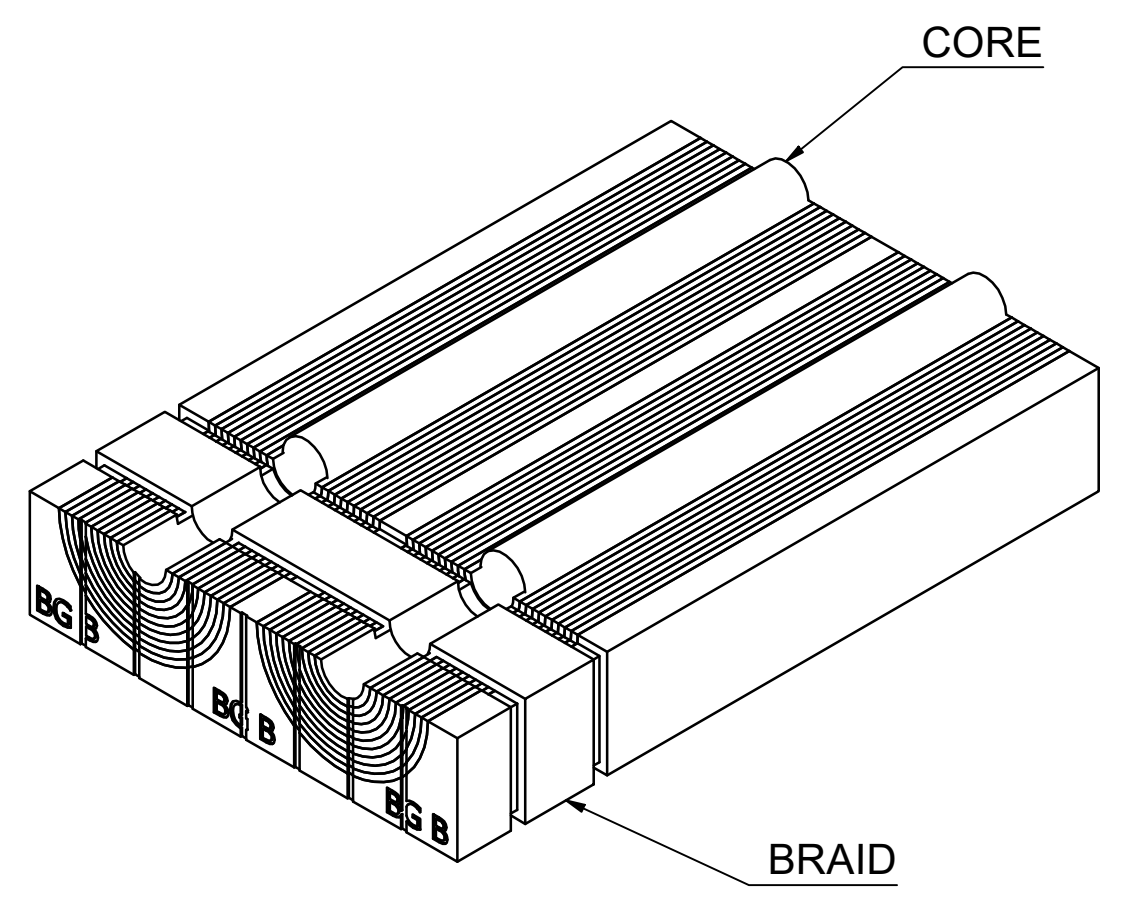
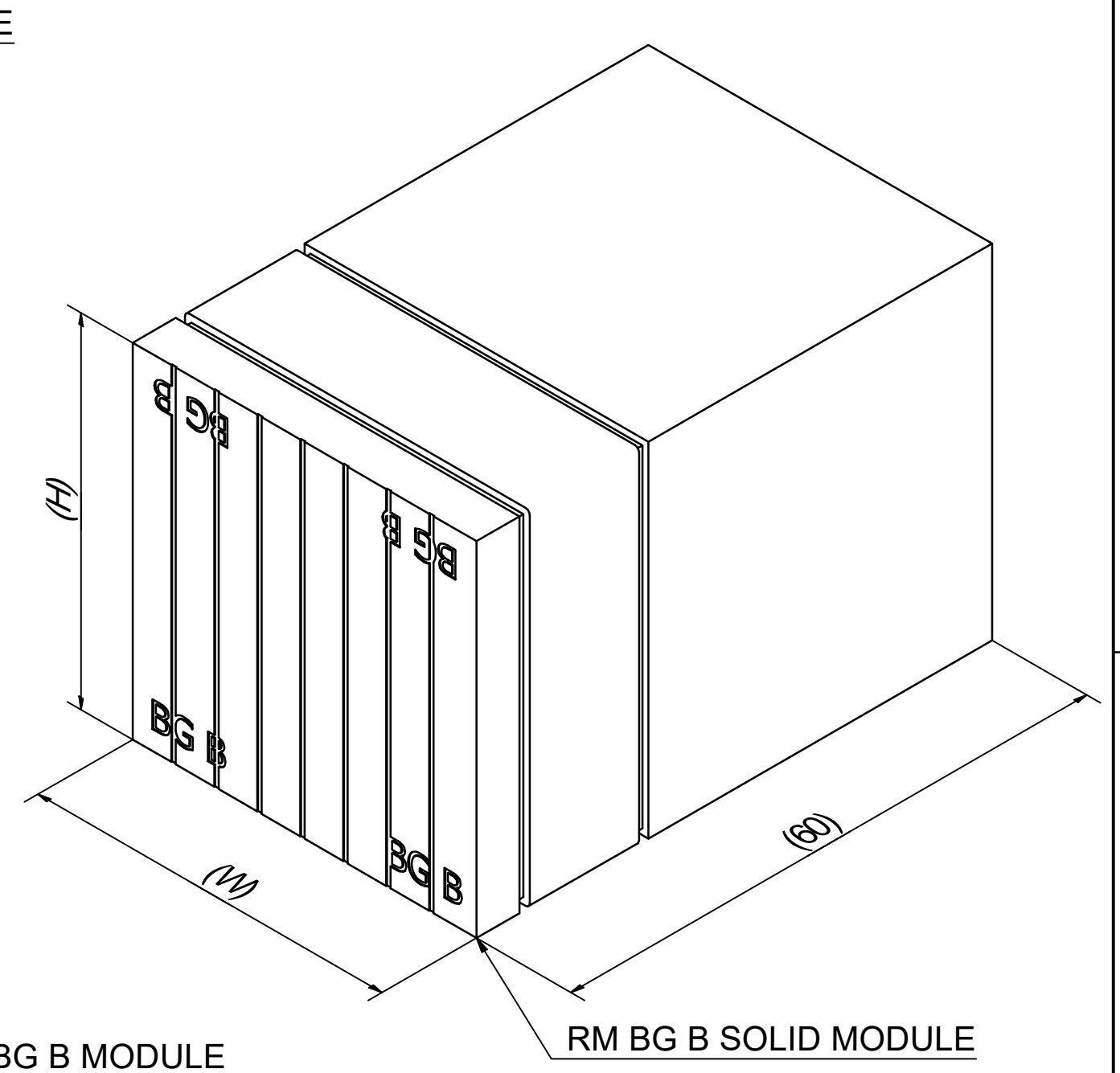
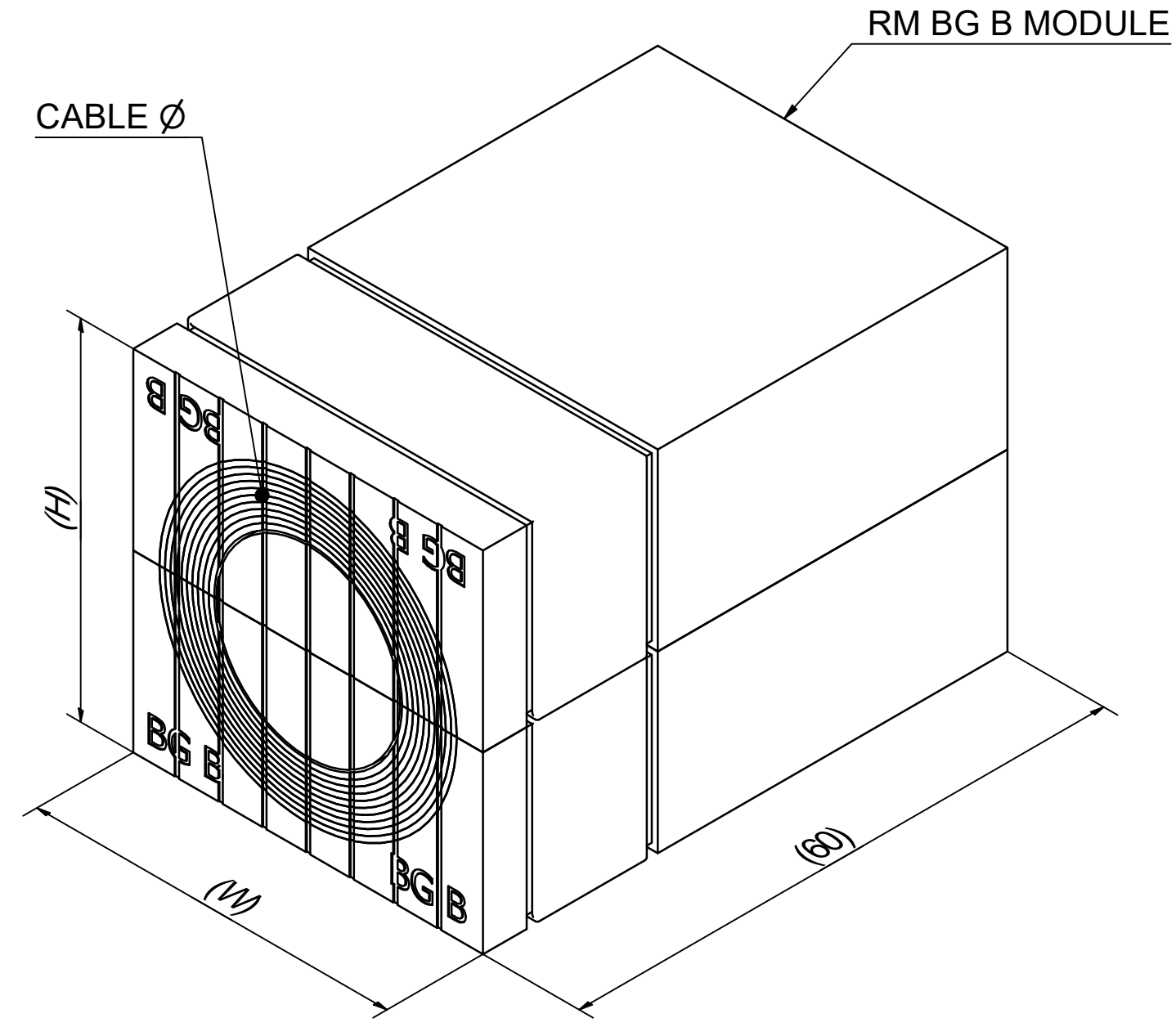
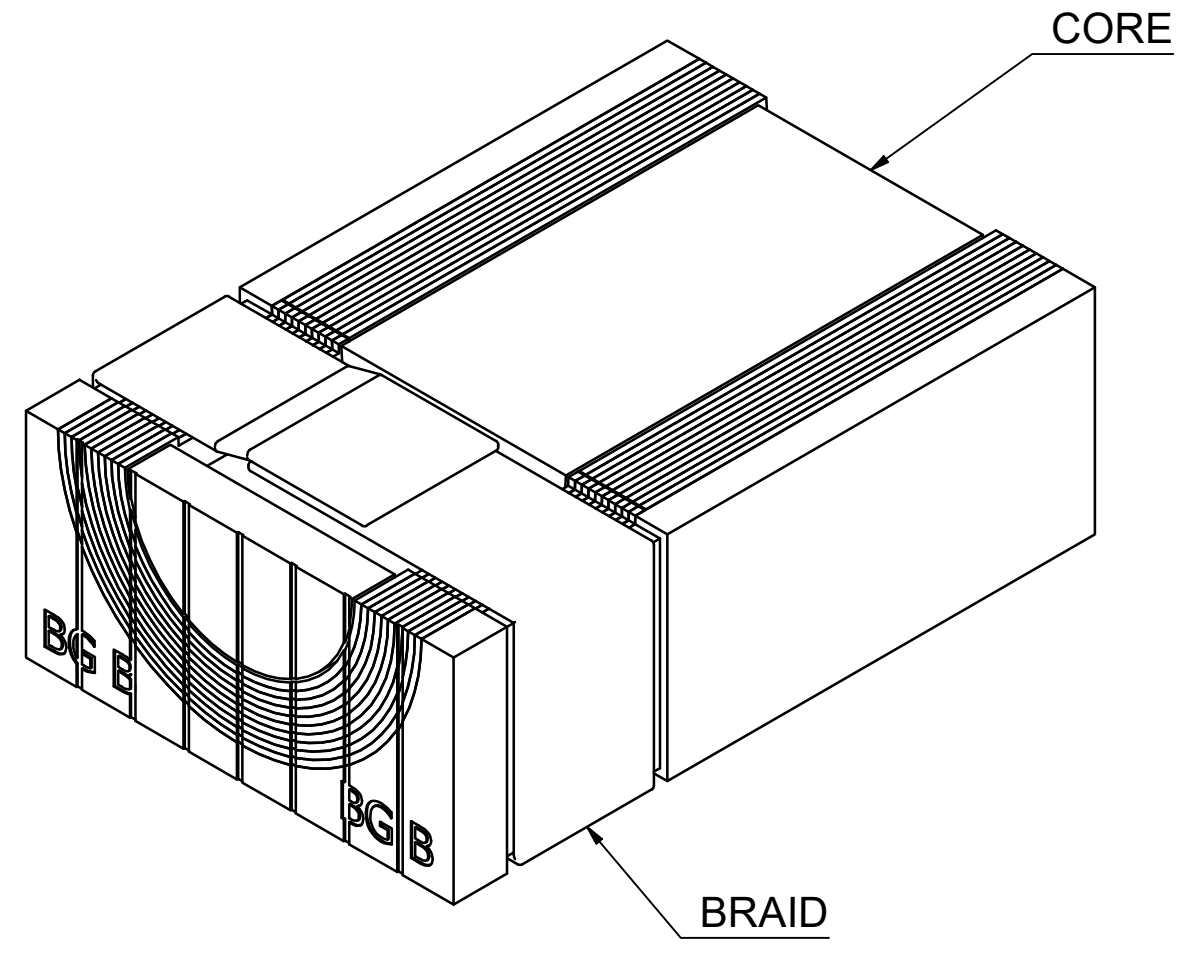
Rev 2.0

BG B MODULES			
TYPE	W (MM)	H (MM)	CABLE Ø (MM)
RM 20 BG B	20	20	0+4-14.5
RM 20W40 BG B	40	20	0+3.5-16.5
RM 30 BG B	30	30	0+10-25
RM 30H90 BG B	30	90	0+10-25
RM 40 BG B	40	40	0+21.5-34.5
RM 40H80 BG B	40	80	0+21.5-34.5
RM 40 10-32 BG B	40	40	0+9.5-32.5
RM 60 BG B	60	60	0+28-54
RM 60 BG B WOC	60	60	28-54
RM 60 24-54 BG B	60	60	0+24-54
RM 80 BG B	80	80	0+48-71
RM 80 BG B WOC	80	80	48-71
RM 90 BG B	90	90	0+48-71
RM 90 BG B WOC	90	90	48-71
RM 120 BG B	120	120	0+67.5-99
RM 120 BG B WOC	120	120	67.5-99


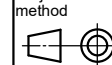
BG B SOLID MODULES		
TYPE	W (MM)	H (MM)
RM 20/0 BG B	20	20
RM 30/0 BG B	30	30
RM 30H90/0 BG B	30	90
RM 40/0 BG B	40	40
RM 40H80/0 BG B	40	80
RM 60/0 BG B	60	60
RM 10w120/0 BG B	120	10

NOTE: WOC VERSION IS WITHOUT CORE

F



F	WOC VERSIONS ADDED IN TABLE	2020-10-21	se-mikgru
Rev	Type of revision	Date	Sign

General tolerances used for manufacturing shown in document DOC-002180		Designed by/date se-tontor 2012-01-19	Latest save date 2016-05-20	Format A2	Scale	Sheet no 1 / 1	TotWeight 0,1 kg
 Roxtec www.roxtec.com		Title RM BG B MODULES OVERVIEW			Projection method 		Rev F
		Restricted due to Information drawing			Drawing number S1026211		

Information drawings show general design and nominal dimensions if not else stated