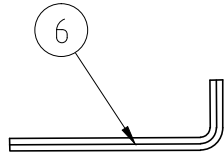
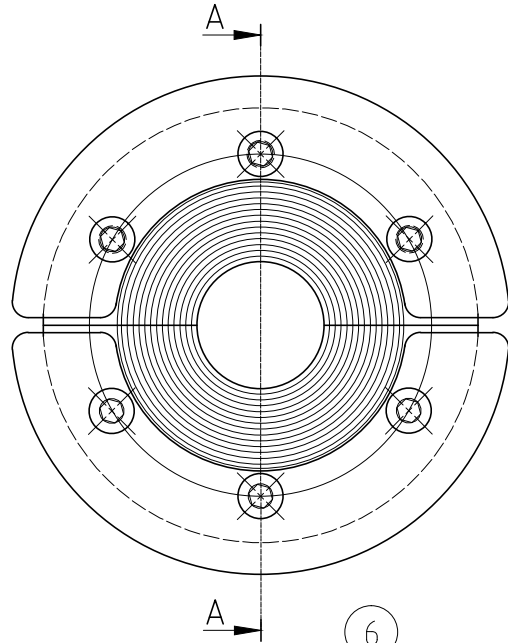
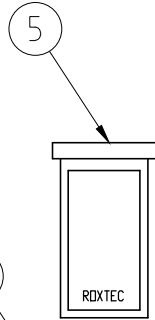


熔克塞克保留所有权利。未经授权严禁复制，
使用以及向第三方泄露。

All rights reserved. Unauthorized reproduction, use
or disclosure to third parties is strictly forbidden.



4

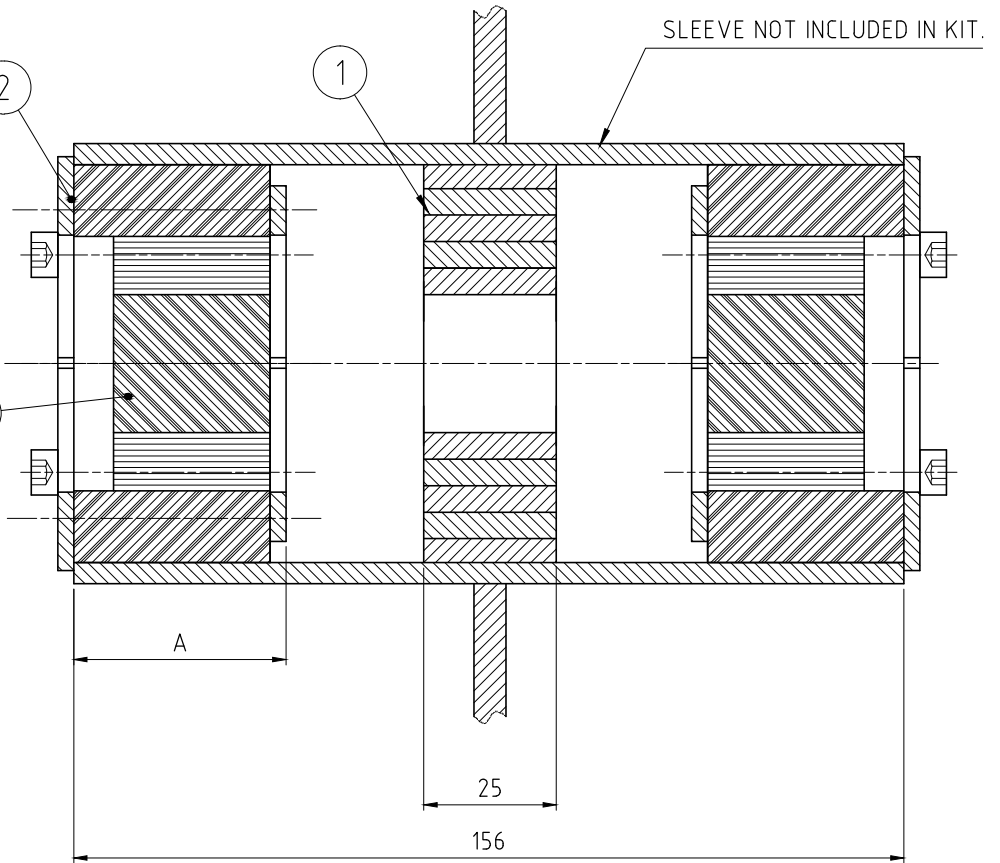


Inst Instruction

3

2

1



A-A

RS PPS SEAL	PIPE DIMENSIONS Ø	A
RS PPS 31	4-17	38,5
RS PPS 43	4-23	40,5
RS PPS 50	8-30	40,5
RS PPS 68	26-48	40,5
RS PPS 75	24-54	40,5
RS PPS 100 WOC	48-70	41
RS PPS 125 WOC	66-98	42
RS PPS 150 WOC	93-119	42
RS PPS 175 WOC	119-147	42
RS PPS 200 WOC	138-170	42

1)
1)
1)
1)
1)

NOTE: SEALS MARKED 1) IS DELIVERED WITHOUT CORE.

Item	Qty	Designation	Specification	Net Weight
6	1	ALLEN KEY		-
5	1	LUBRICANT		-
4	1	INSTALLATION INSTRUCTION		-
3	-	CORE		-
2	2	C RS SEAL		-
1	1	INTUMESCENT MATERIAL		-

Item	Qty	Designation	Specification	Net Weight											
General Tolerance		Designed by		Created Date		Latest save date		Format		Scale		Sheet no		Tot Weight	
ISO 2768-1/2-m/K		se-jenboh		2005-03-22		2016-05-04		A3		1:1				-	
EN ISO 1920-BF		www.roxtec.com		Title		Projection								method	
EN ISO 5817-B				RS PPS SEAL		RS PPS 31 - RS PPS 200								Rev	
EN ISO 10042-B				Restricted due to		Information drawing		Drawing number		S1007685				F	

Rev	Type of revision	Date	Sign
F	LAYOUT UPDATED.	2016-05-03	se-jenboh