

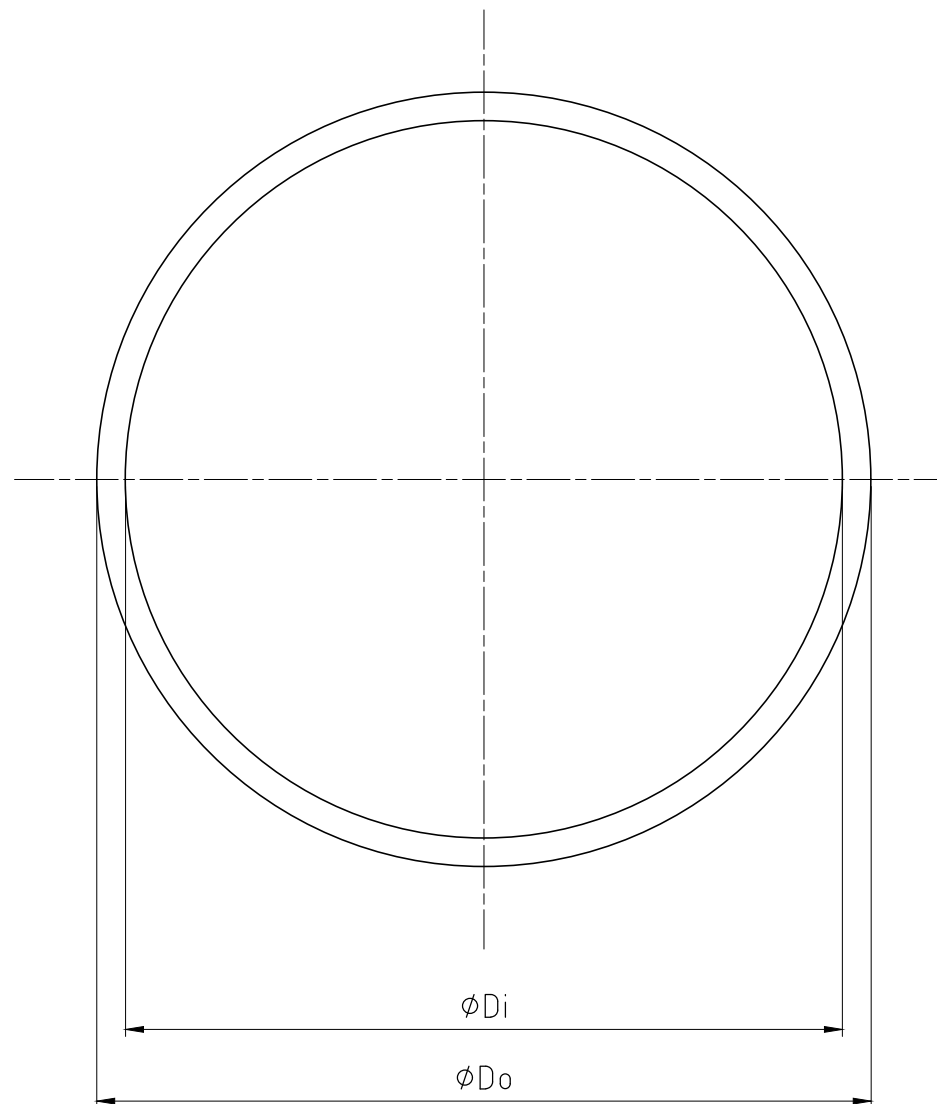
烙克赛克保留所有权利。未经授权严禁复制，使用以及向第三方泄露。

All rights reserved. Unauthorized reproduction, use or disclosure to third parties is strictly forbidden.

Rev 1.0

TYPE	Di (mm)	Do (mm)	L (mm)
SLRS-23	23,5	32	35
SLRS-25	25,5	34	35
SLRS-31	31,5	40	35
SLRS-43	44	52	65
SLRS-50	51	63	65
SLRS-68	69,5	83	65
SLRS-75	76,5	89	65
SLRS-100	101	114	65
SLRS-125	126	140	65
SLRS-150	151	164	65
SLRS-175	176	189	65
SLRS-200	201	214	65
SLRS-225	227	239	55
SLRS-250	252	264	55
SLRS-300	302	314	55
SLRS-350	352	364	55
SLRS-400	402	414	55
SLRS-450	452	464	55
SLRS-500	502	514	55
SLRS-550	552	564	55
SLRS-600	602	614	55
SLRS-644	646	658	55

SLR-50	51	63	55
SLR-70	71,5	83	55
SLR-75	76,5	89	55
SLR-100	101	114	55
SLR-125	126	140	55
SLR-127	128	140	55
SLR-150	151	164	55
SLR-200	201	214	55



DPO = DIMENSION VIA PURCHASE ORDER

L	SLR-50 ADDED IN TABLE	2018-06-14	se-jenboh
Rev	Type of revision	Date	Sign

Item	Qty	Designation	Specification					Net Weight	
General tolerance ISO 2768-1/2-m/K EN ISO 13920-BF	Welded details EN ISO 5817-B EN ISO 10042-B	General surface roughness, Ra 12,5	Designed by se-jenboh	Created Date 2004-11-02	Latest save date 2018-06-14	Format A3	Scale 1:2	Sheet no	TotWeight -
 www.roxtec.com			Title SLEEVE SLR/RS Ø23 - Ø644						Projection method
			Restricted due to Information drawing			Drawing number S1006967		Rev L	