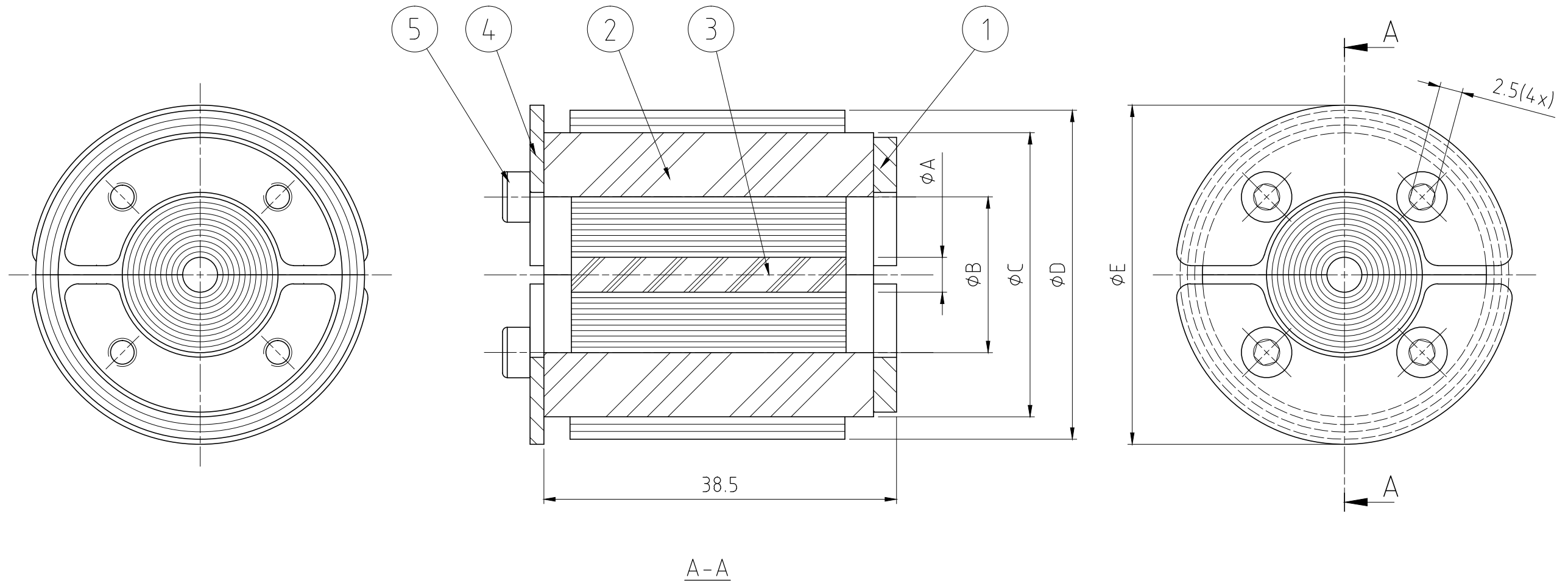


洛克赛克保留所有权利。未经授权严禁复制，
使用以及向第三方泄露。

All rights reserved. Unauthorized reproduction, use
or disclosure to third parties is strictly forbidden.

TYPE	A (MM)	B (MM)	C (MM)	D (MM)	E (MM)
RS 25 OMD	3.6	12	25	30	32
RS 31 OMD	4	17	31	36	37



5	4	SCREW	A4	-
4	2	FRONT FITTING	ACID PROOF STAINLESS STEEL	-
3	1	CORE	-	-
2	2	RUBBER FRAME	ROXYLON	-
1	2	REAR FITTING	ACID PROOF STAINLESS STEEL	-

Item	Qty	Designation	Specification	Net Weight
General tolerance		Welded details	General surface	Designed by
ISO 2768-1/2-m/K		EN ISO 5817-B	roughness, Ra	tc_service
EN ISO 13920-BF		EN ISO 10042-B	12,5	Created Date
				2003-12-12
				Latest save date
				2016-05-03
				Format
				A3
				Scale
				2:1
				Sheet no
				-
				Tot Weight
				-
				Projection method
				1st angle
				Rev
				B

B	LAYOUT CHANGED	2016-05-03	se-jenboh
Rev	Type of revision	Date	Sign

Roxtec
www.roxtec.com

Title
RS OMD SEALS

RS OMD 25-31

Restricted due to
Information drawing

Drawing number
S1005708