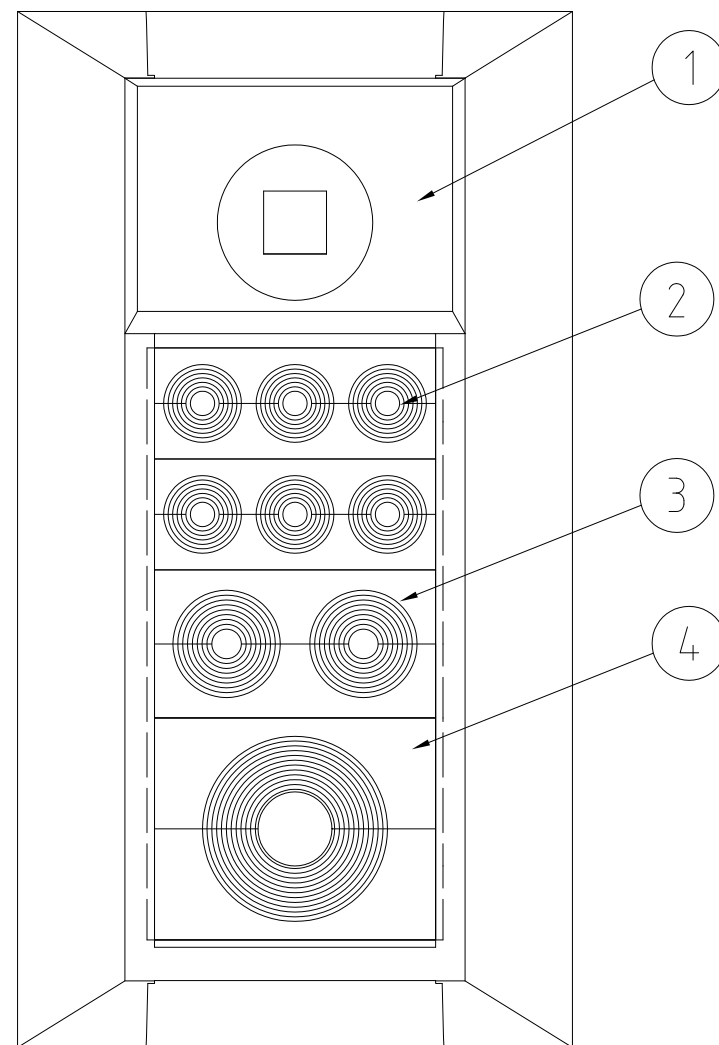
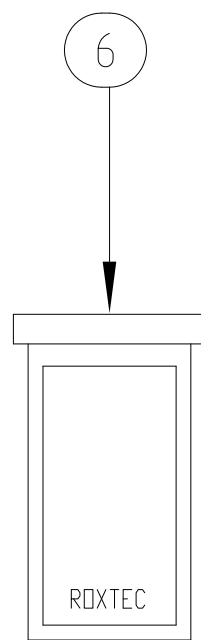
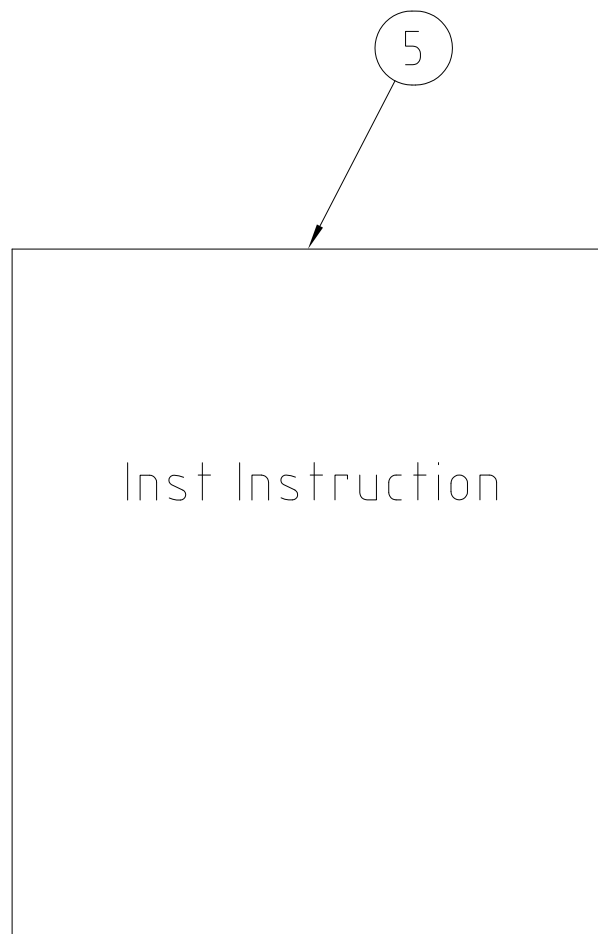

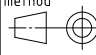


洛克赛克保留所有权利。未经授权严禁复制，
使用以及向第三方泄漏。

All rights reserved. Unauthorized reproduction, use
or disclosure to third parties is strictly forbidden.



6	1	ROXTEC LUBRICANT	10ML	-
5	1	INSTALLATION INSTRUCTION		-
4	1	CM 30w40	0+ 10-25MM.	-
3	1	CM 20w40	0+ 4-16.5MM (2x)	-
2	2	CM 15w40	0+ 3.5-10.5 (3x)	-
1	1	CF 8 FRAME		-

Item	Qty	Designation	Specification	Net Weight
ROXTEC INTERNATIONAL AB BOX 540 S-371 23 Karlskrona TEL: +46 455 366700 FAX: +46 455 82012		Designed by se-joahel	Created Date 2003-06-05	General tolerance ISO 2768-1/2-m/K EN ISO 13920-BF
		Approved by se-jorake	Approved Date 2013-04-10	Welded details EN ISO 5817-B EN ISO 10042-B
		Format A3	Scale 1:1	General surface roughness, Ra 12,5 -
		Title ASSEMBLY KIT		Projection method 
		Restricted due to Information Drawing		Drawing number S1004979
				Rev B

B	INSTALLATION INSTRUCTION AND LUBRICANT ADDED	2013-04-10	se-henols
Rev	Type of revision	Date	Sign