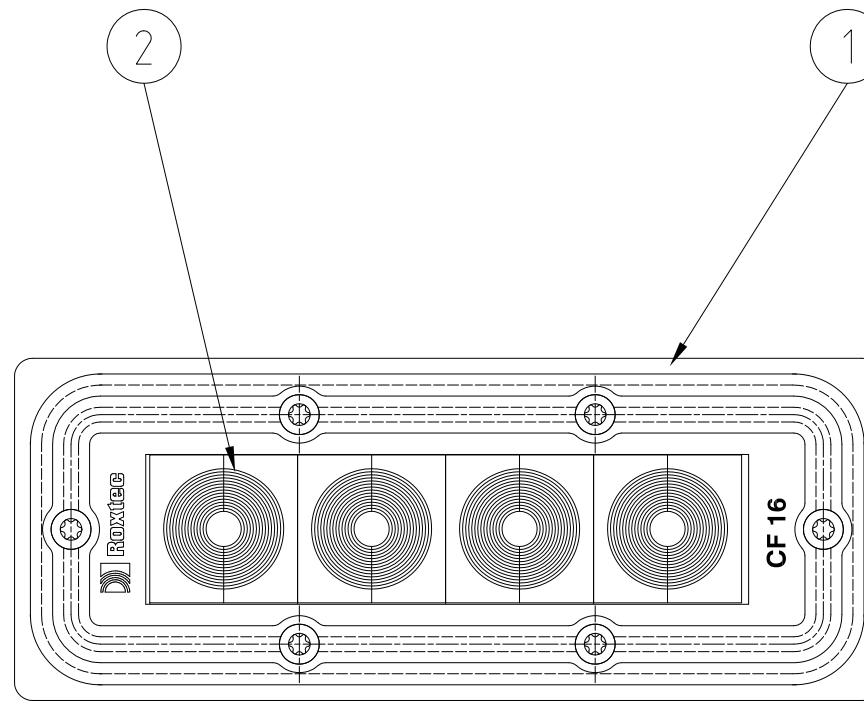

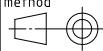


We reserve all rights in this document and in the information contained therein. Reproduction, use or disclosure to third parties without express authority is strictly forbidden. ©ROXTEC INTERNATIONAL AB



A

2	4	CM 40 / Ø10-32							-
1	1	CF 16							-
Item	Qty	Designation	Specification					Net Weight	
ROXTEC INTERNATIONAL AB BOX 540 S-371 23 Karlskrona TEL: +46 455 366700 FAX: +46 455 82012		Designed by se-stemil	Date 2003-01-15	General tolerance ISO 2768-1 m	Welded details SS-EN 25 817 SS-EN 30 042 C	General surface roughness, Ra -	Total Weight		
		Checked by	Format A3	Title CF 16/4		Projection method 			
		Approved by se-jenboh	Scale	ASSEMBLY KIT		Rev A			
Restricted due to Information Drawing				Drawing number S1004326					

A	DEFINITION CSF 16 CHANGED TO CF 16	2006-07-18	se-milkar
Rev	Type of revision	Date	Sign