

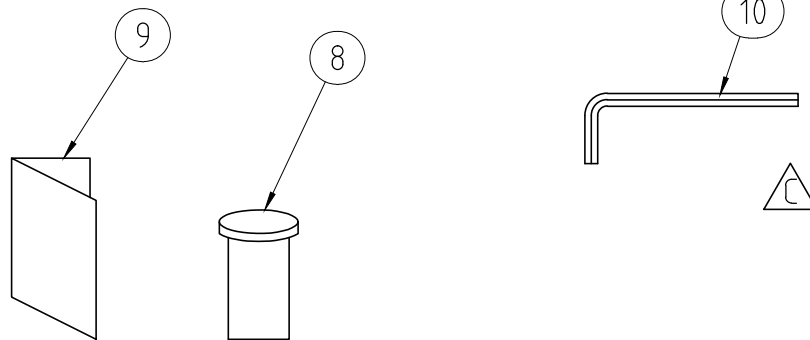
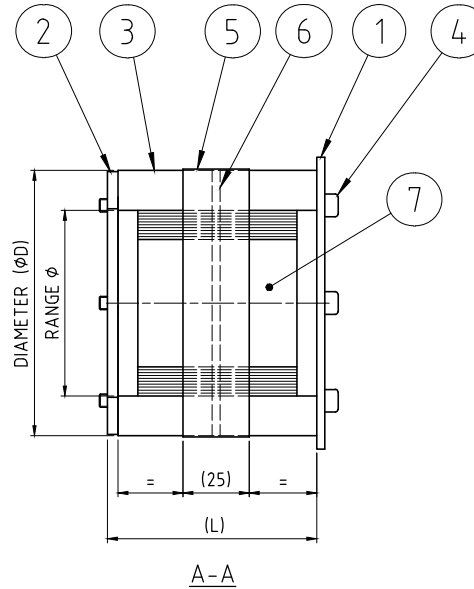
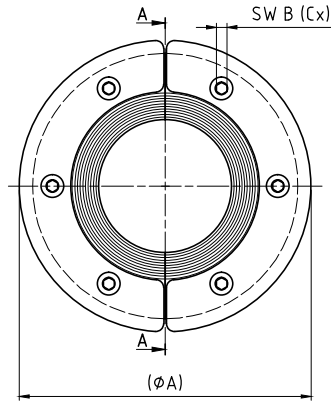
烙克赛克保留所有权利。未经授权严禁复制，使用以及向第三方泄露。

All rights reserved. Unauthorized reproduction, use or disclosure to third parties is strictly forbidden.

RS ES SEALS

RS ES WOC SEALS (WITHOUT CORE)

SIZE	A	B	C	D	E	RANGE ϕ	L	SIZE	A	B	C	D	E	RANGE ϕ	L
RS 75 ES	85	4	6	75	1	0+24-54	80	RS 75 ES WOC	85	4	6	75	0	24-54	80
RS 100 ES	100	4	6	100	1	0+48-70	80	RS 100 ES WOC	100	4	6	100	0	48-70	80
RS 125 ES	125	5	6	125	1	0+66-98	82	RS 125 ES WOC	125	5	6	125	0	66-98	82
								RS 150 ES WOC	150	5	8	150	0	93-119	82



10	1	ALLEN KEY		
9	1	INSTALLATION INSTRUCTION		
8	1	LUBRICANT	10 ML	
7	E	CORE	ROXYLON	
6	2	CONDUCTIVE RUBBER	EMI BARRIER	
5	2	CONDUCTIVE TAPE	TINPLATED COPPER	
4	C	SCREW	MC6S A4	
3	2	RUBBER FRAME	ROXYLON	
2	2	REAR FITTING	ACID PROOF STAINLESS STEEL	
1	2	FRONT FITTING	ACID PROOF STAINLESS STEEL	

Item	Qty	Designation	Specification	Net Weight
General Tolerance		Designed by		Net Weight
ISO 2768-1/2-M/K		se-pertor		-
EN ISO 1920-BF		Created Date		
Welded details		2001-11-01		
EN ISO 5817-B		Latest save date		
EN ISO 10042-B		2016-05-03		
General surface roughness, Ra		Format	Scale	Sheet no
12.5		A3	1:2	
Title				Projection method
RS ES SEALS				1st angle
RS 75-150 ES				
Restricted due to				Rev
Information drawing				C
Drawing number				
S1002972				



NOTE:

The range of the Roxtec Seal indicates the smallest possible diameter of the dismantled cable screen to the largest possible diameter of the cable mantle.

Rev	Type of revision	Date	Sign
C	ALLEN KEY ADDED.	2016-05-03	se-jenboh