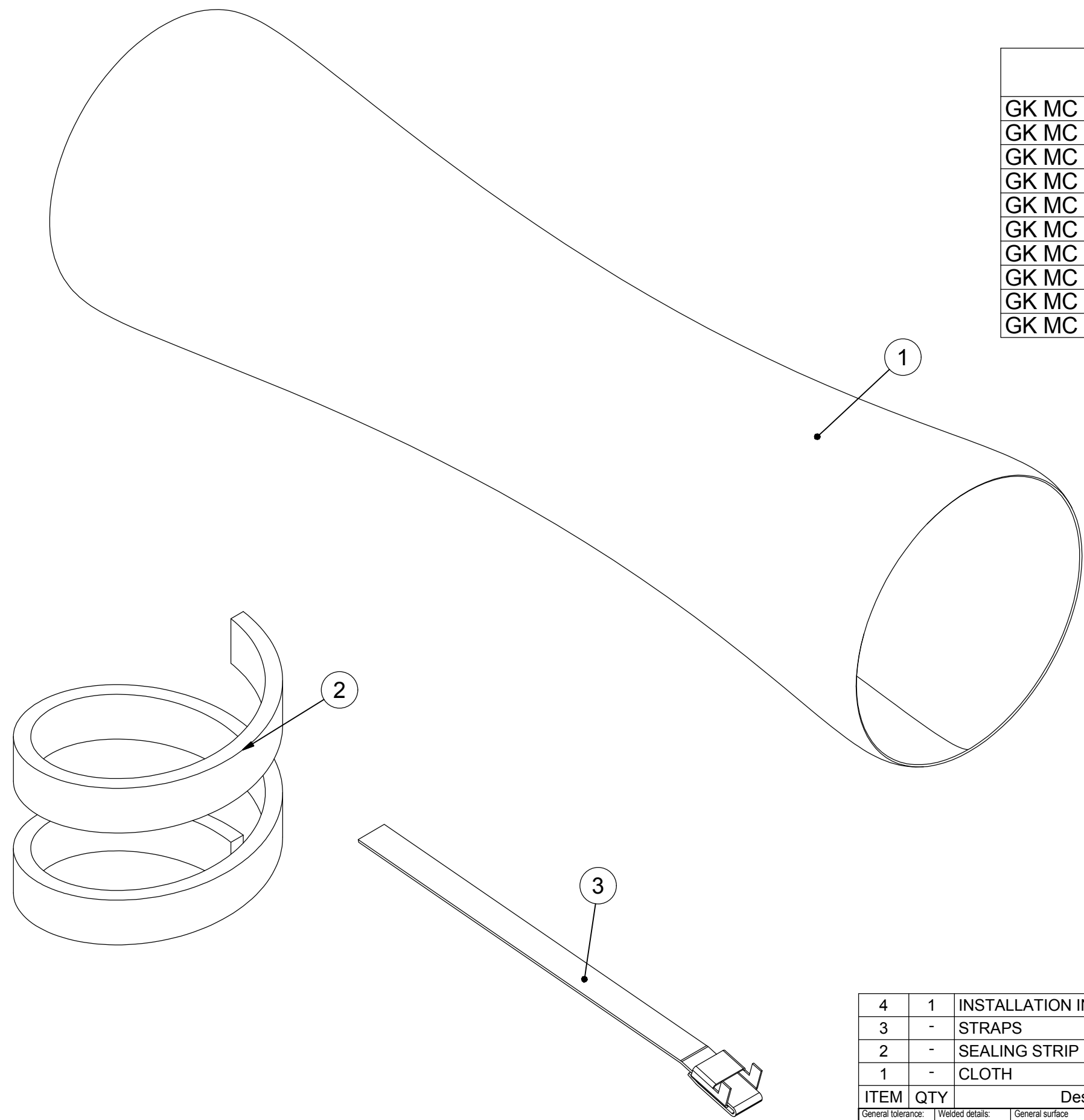



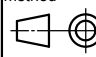
烙克赛克保留所有权利。未经授权严禁复制，使用以及向第三方泄漏。

All rights reserved. Unauthorized reproduction, use or disclosure to third parties is strictly forbidden.



	ITEM 1 (QTY)	ITEM 2 (QTY)	ITEM 3 (QTY)
GK MC FC 89 KIT	1	2	4
GK MC FC 127 KIT	1	2	4
GK MC FC 140 KIT	1	2	4
GK MC FC 168 KIT	1	2	4
GK MC FC 219 KIT	1	2	4
GK MC FC 244 KIT	1	2	4
GK MC FC 200x150 KIT	1	2	4
GK MC FC 350x168 KIT	2	4	8
GK MC FC 450x170 KIT	2	4	8
GK MC FC 550x170 KIT	2	4	8

4	1	INSTALLATION INSTRUCTION		
3	-	STRAPS	15x0.5 GALVANIZED	
2	-	SEALING STRIP	L=1000mm	
1	-	CLOTH	GLASS FIBER	2

ITEM	QTY	Designation	Specification	Weight	
General tolerance: ISO 2768-1/2-m/K EN ISO 13920-BF		Welded details: EN ISO 5817-B EN ISO 10042-B		General surface roughness: Ra 12.5	
Designed by/date: se-jenboh 2017-12-13		Latest save date: 2017-12-19		Format: A3	
Scale:		Sheet no: 1 / 1		TotWeight: 0,0 kg	
 <b>Roxtec</b> GK MC FC KITS www.roxtec.com				Projection method:  Rev: B	
Restricted due to: Information drawing			Drawing number: S1528797		Rev: B

B	INSTRUCTION ADDED.	2017-12-19	se-jenboh
Rev	Type of revision	Date	Sign