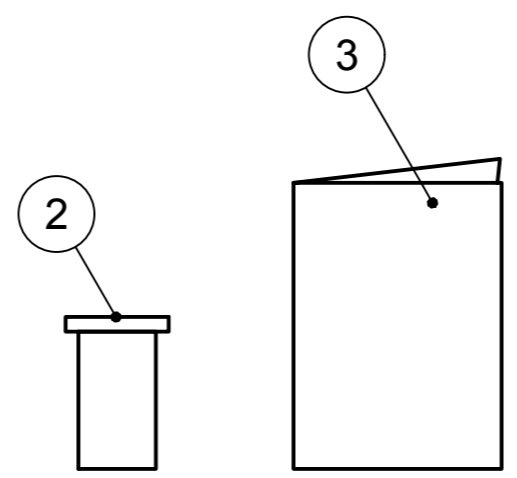
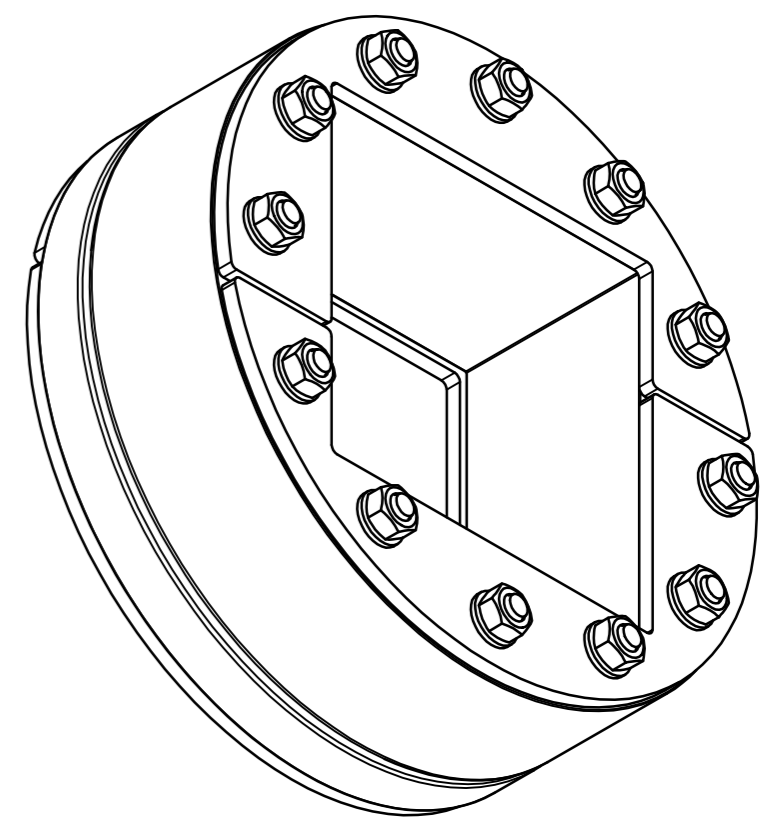
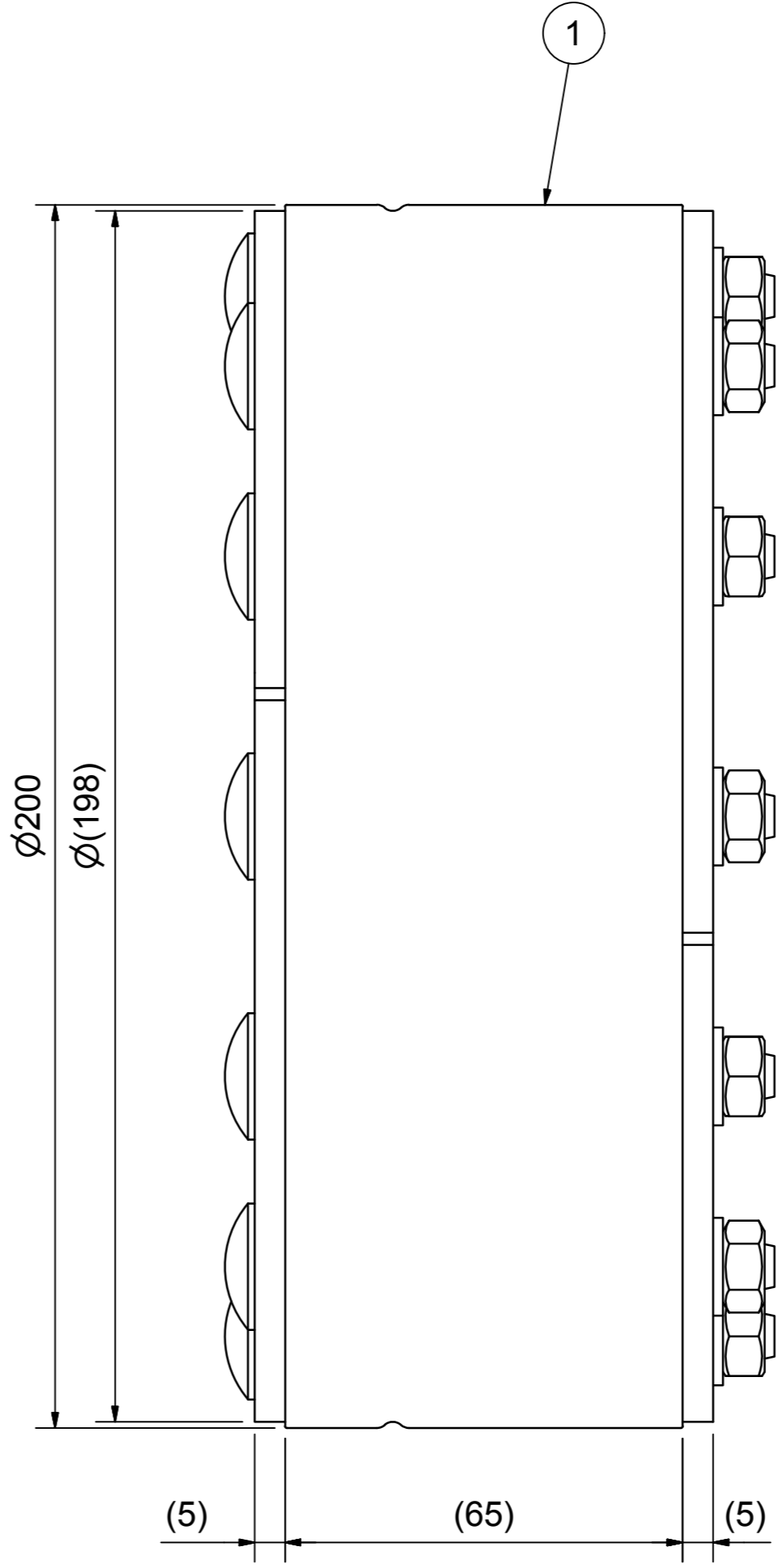
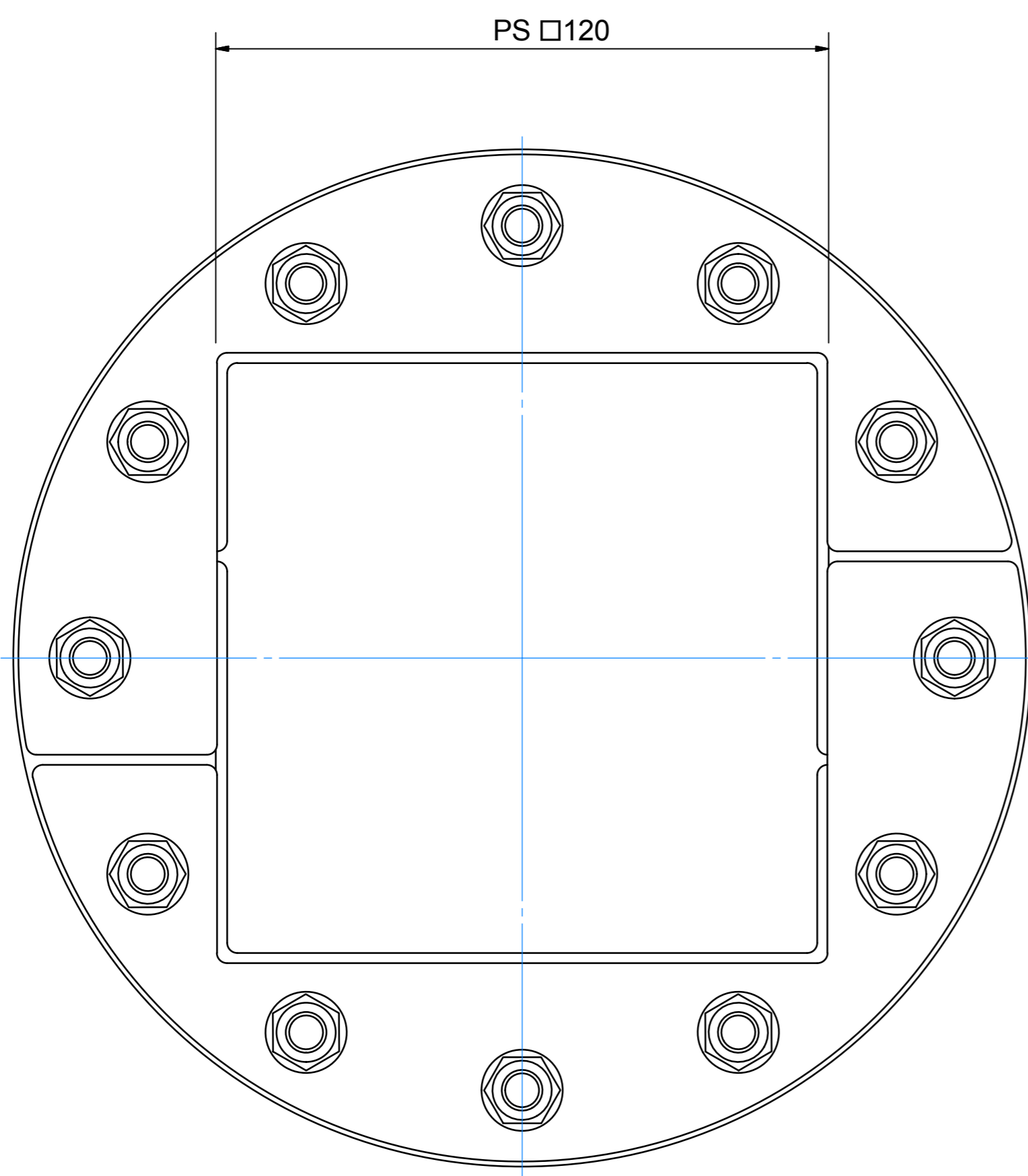


格克赛克保留所有权利。未经授权严禁复制，  
使用以及向第三方泄露。

All rights reserved. Unauthorized reproduction, use  
or disclosure to third parties is strictly forbidden.



A		2016-04-14	se-ronpet
Rev	Type of revision	Date	Sign

3	1	INSTALLATION INSTRUCTION							
2	1	ROXTEC LUBRICANT							
1	1	R 200 UG INSERTABLE FRAME	ROXYLON HE/STAINLESS STEEL						1
ITE	QTY	Designation	Specification				Weight		
		se-ronpet	2016-04-14	2016-04-14	A2	1 / 1	2.8 kg		
General tolerance: ISO 2768-1/2-m/K		Welded details: EN ISO 5817-B	General surface roughness: Ra 12.5	Designed by/date se-ronpet 2016-04-14	Latest save date 2016-04-14	Format A2	Scale	Sheet no 1 / 1	TotWeight 2.8 kg
		<b>R UG FRAME</b> <b>R 200 UG INSERTABLE</b>			Restricted due to Information drawing		Drawing number <b>S1511679</b>		Projection method 
www.roxtec.com		Information drawing			Drawing number		S1511679		Rev A