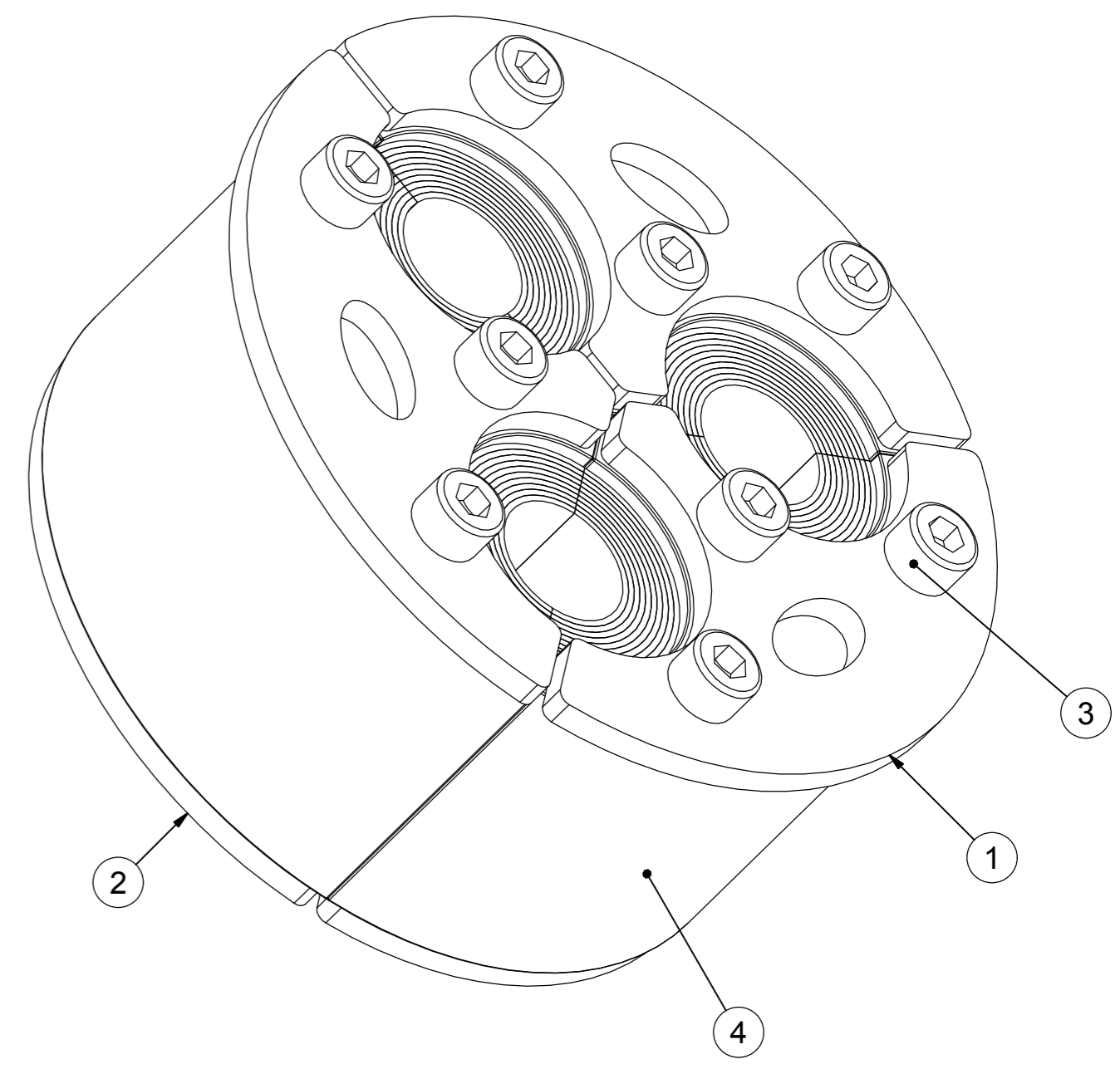
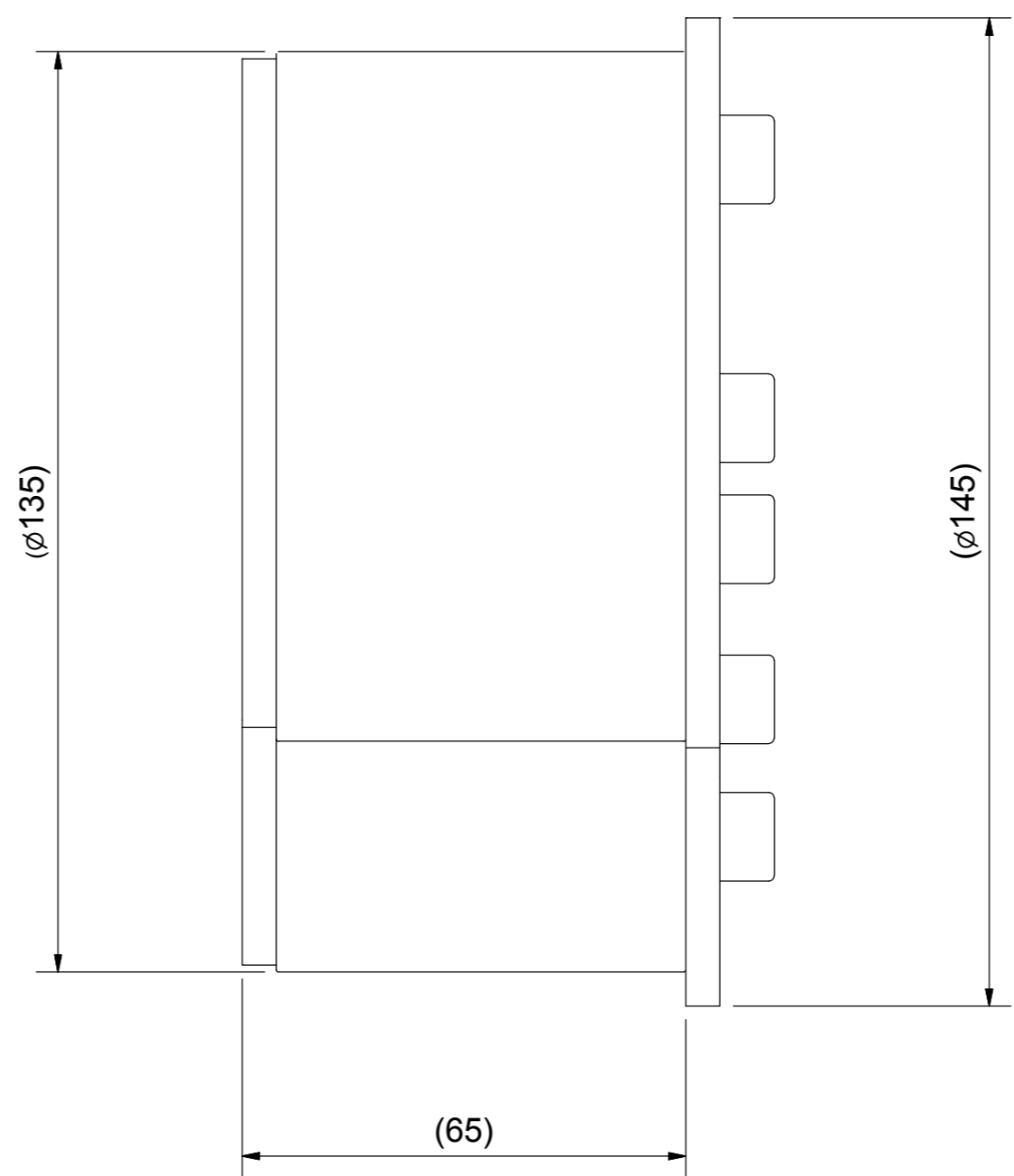
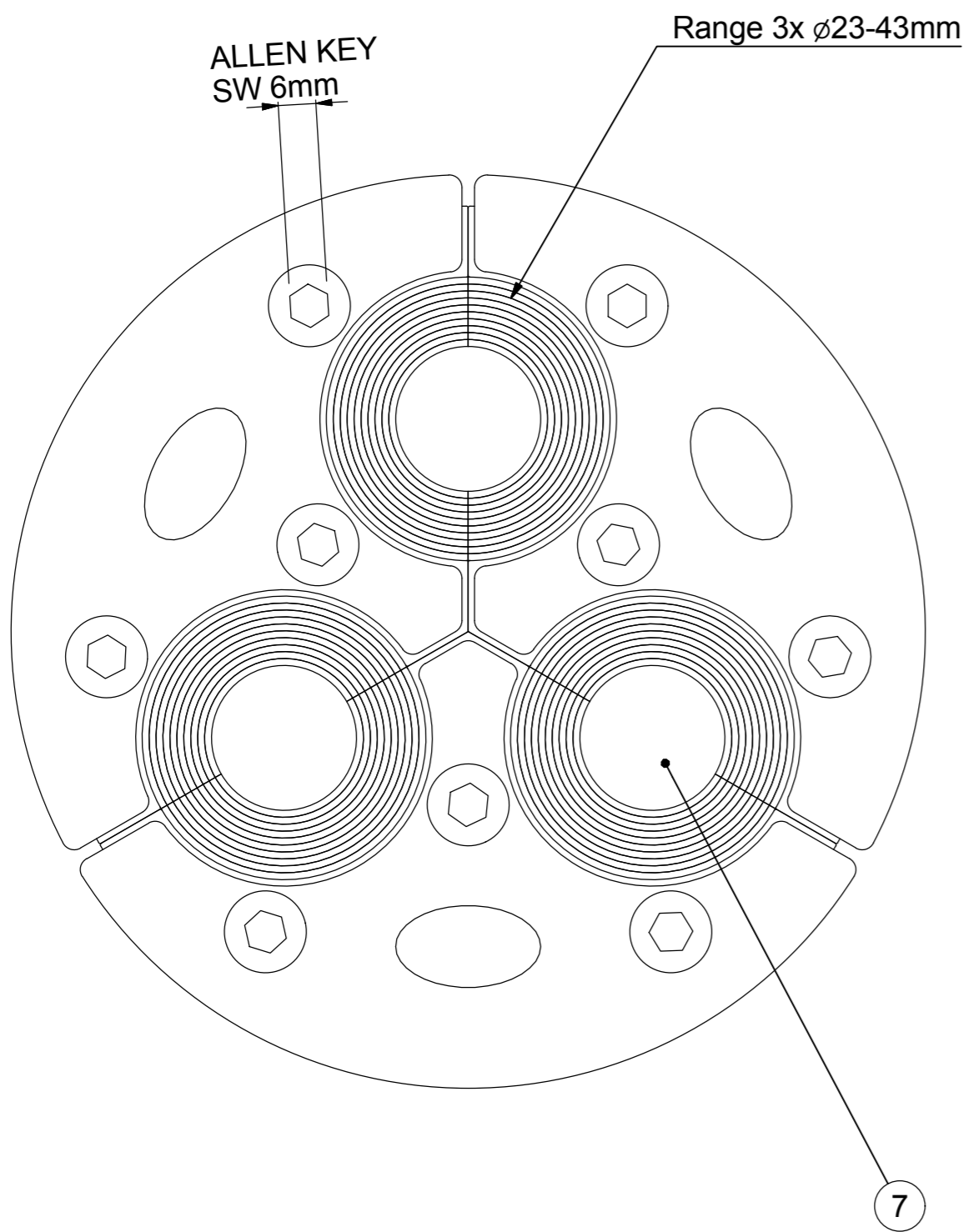
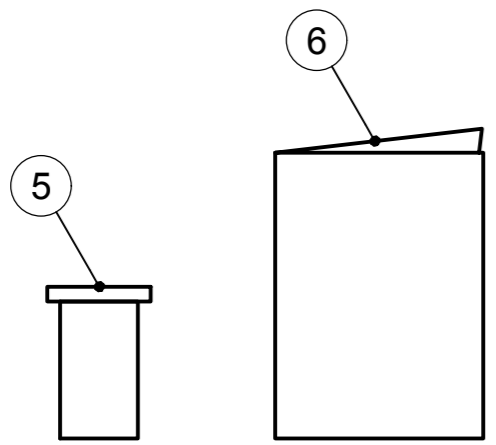


格克赛克保留所有权利。未经授权严禁复制，
使用以及向第三方泄漏。

All rights reserved. Unauthorized reproduction, use
or disclosure to third parties is strictly forbidden.



NOTE:
WOC VERSION IS WITHOUT
CENTER CORES



ITEM	QTY	Designation	Specification	Weight
7	3	CENTER CORE	EPDM, NOT IN WOC VERSIONS	
6	1	INSTALLATION INSTRUCTION		
5	1	LUBRICANT	10 ml	
4	3	RUBBER FRAME	HE-EPDM	
3	9	SCREW	ISO 4762 M8x70 A4	
2	3	REAR FITTING	AISI 316 T=5mm	
1	3	FRONT FITTING	AISI 316 T=5mm	

General tolerances:		Welded details:		General surface roughness:		Designation		Specification		Weight	
ISO 2768-1/2-m/K	EN ISO 13920-BF	EN ISO 5817-B	EN ISO 10042-B	Re 12.5	se-danstr	2015-01-13	2015-05-20	A2	1 / 1	N/A	

 www.roxtec.com	Title H3 135 UG ASSEMBLY		Projection method
	Restricted due to Information		

Rev	Type of revision	Date	Sign
B		2015-05-20	se-danstr