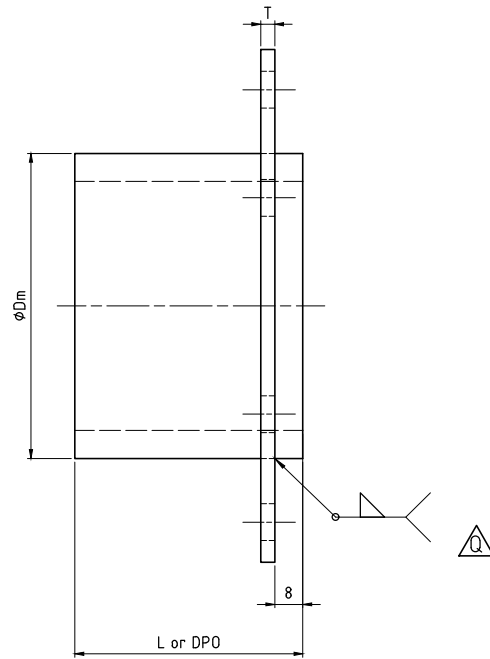
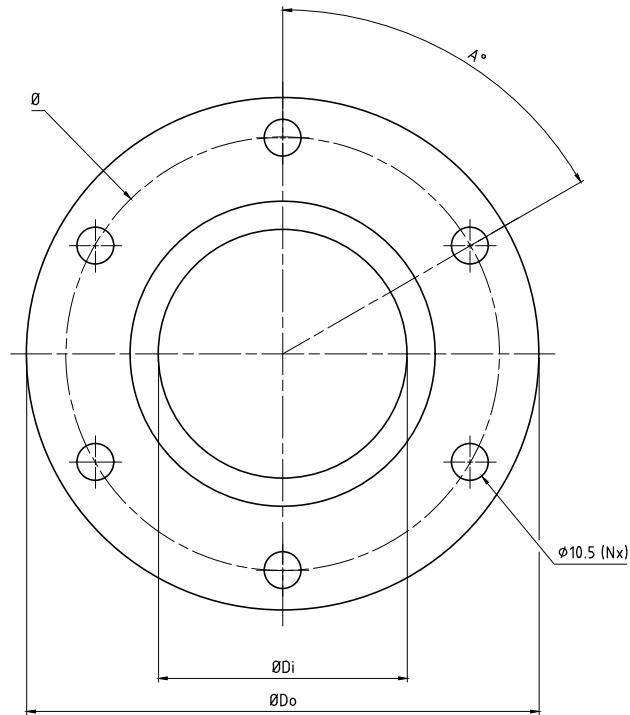


所有权利保留。未经授权，禁止复制或向第三方泄露。

All rights reserved. Unauthorized reproduction, use or disclosure to third parties is strictly forbidden.

Rev 1.0



DPO = DIMENSION VIA PURCHASE ORDER

TYPE	Di (mm)	Do (mm)	A°	Ø (mm)	N (X)	T (mm)	L (mm)	Dm (mm)
SLFRS 23	23,5	92	90	68	4	4	35	32
SLFRS 25	25,5	96	90	72	4	4	35	34
SLFRS 31	31,5	102	90	72	4	4	35	40
SLFRS 43	44	110	90	80	4	4	65	52
SLFRS 50	51	140	90	110	4	4	65	63
SLFRS 68	69,5	155	90	125	4	4	65	83
SLFRS 75	76,5	165	90	135	4	4	65	89
SLFRS 100	101	195	60	165	6	4	65	114
SLFRS 125	126	213	60	183	6	4	65	140
SLFRS 150	151	236	60	206	6	4	65	164
SLFRS 175	176	255	60	225	6	4	65	189
SLFRS 200	201	290	45	260	8	4	65	214
SLFRS 225	227	320	45	290	8	4	55	239
SLFRS 250	252	345	30	315	12	4	55	264
SLFRS 300	302	395	30	365	12	4	55	314
SLFRS 350	352	445	30	415	12	4	55	364
SLFRS 400	402	495	20	465	18	4	55	414
SLFRS 450	452	544	20	514	18	4	55	464
SLFRS 500	502	595	20	565	18	5	55	514
SLFRS 550	552	645	20	615	18	5	55	564
SLFRS 600	602	695	15	665	24	5	55	614
SLFRS 644	646	739	15	709	24	5	55	658

NOTE: ALUMINUM IS ONLY AVAILABLE IN SIZES UP TO SLFRS 300.

TYPE	Di (mm)	Do (mm)	A°	Ø (mm)	N (x)	T (mm)	L (mm)	Dm (mm)
SLFR 50	51	140	90	110	4	4	55	63
SLFR 70	71,5	160	90	130	4	4	55	83
SLFR 75	76,5	165	90	135	4	4	55	89
SLFR 100	101	195	60	165	6	4	55	114
SLFR 125	126	213	60	183	6	4	55	140
SLFR 127	128	213	60	183	6	4	55	140
SLFR 150	151	236	60	206	6	4	55	164
SLFR 200	201	290	45	260	8	4	55	214

Q	SLFR 50 ADDED IN TABLE	2016-03-31	se-jenboh
Rev	Type of revision	Date	Sign

Item	Qty	Designation	Specification				Net Weight
General reference EN ISO 10181-1 EN ISO 19101-1	1	se-jenboh	Created Date 2018-03-15	Sheet no A2	Scale 1:1	Projection method First angle	-
			SLEEVE WITH FLANGE SLFR/RS 23-644 Information drawing				Rev Q
www.roxtec.com						Drawing number S1006852	