



System No. W-J-3254 XHEZ.W-J-3254 Through-penetration Firestop Systems

[Page Bottom](#)

Design/System/Construction/Assembly Usage Disclaimer

- Authorities Having Jurisdiction should be consulted in all cases as to the particular requirements covering the installation and use of UL Certified products, equipment, system, devices, and materials.
- Authorities Having Jurisdiction should be consulted before construction.
- Fire resistance assemblies and products are developed by the design submitter and have been investigated by UL for compliance with applicable requirements. The published information cannot always address every construction nuance encountered in the field.
- When field issues arise, it is recommended the first contact for assistance be the technical service staff provided by the product manufacturer noted for the design. Users of fire resistance assemblies are advised to consult the general Guide Information for each product category and each group of assemblies. The Guide Information includes specifics concerning alternate materials and alternate methods of construction.
- Only products which bear UL's Mark are considered Certified.

XHEZ - Through-penetration Firestop Systems

XHEZ7 - Through-penetration Firestop Systems Certified for Canada

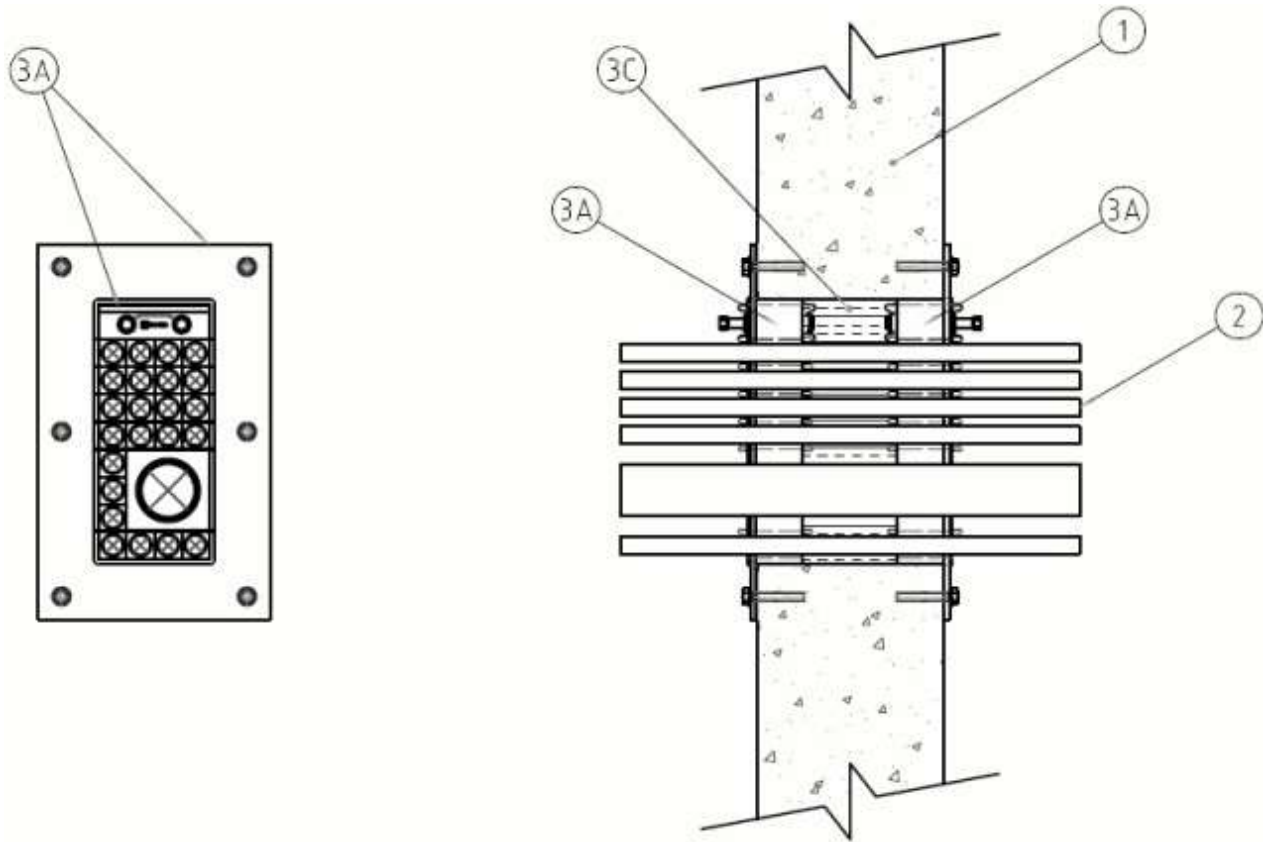
[See General Information for Through-penetration Firestop Systems](#)

[See General Information for Through-penetration Firestop Systems Certified for Canada](#)

System No. W-J-3254

October 06, 2017

ANSI/UL1479 (ASTM E814)	CAN/ULC S115
F Rating — 3 Hr	F Rating — 3 Hr
T Rating — 0 and 1-1/2 Hr (See Item 3)	FT Rating — 0 and 1-1/2 Hr (See Item 3)
L Rating At Ambient — Less Than 1 CFM/sq ft	FH Rating — 3 Hr
L Rating At 400 F — Less Than 1 CFM/sq ft	FTH Rating — 0 and 1-1/2 Hr (See Item 3)



1. Wall Assembly — Min 6-5/8 in. (168 mm) thick lightweight or normal weight (100-150 pcf or 1600-2400 kg/m³) concrete. Wall may also be constructed of any UL Classified **Concrete Blocks***. Rectangular opening to have dimensions which are max 1/4 in. (6 mm) greater than the width and height of the firestop device frame (Item 3A), excluding mounting flanges. Max dimension of opening is 6 in. (152 mm) wide by 12 in. (305 mm) high (G 8X1 Device).

See **Concrete Blocks** (CAZT) in the Fire Resistance Directory for names of manufacturers.

2. Cables — Within the loading area for each firestop device module the cables may represent a 0 to 100 percent visual fill. Cables to be rigidly supported on both sides of wall assembly. Any combination of the following types and sizes of cables may be used:

- A. Max 3/C No. 500 kcmil MC type copper conductor power cable with Ethylene Propylene Rubber(EPR) insulation and PVC jacket materials.
- B. Max 19/C No. 14 AWG TC or TC-ER type copper conductor control power cable with Ethylene Propylene Rubber insulation and Chlorinated Polyethylene (CPE) jacket materials.
- C. Max 3/C No. 14 AWG MC type copper conductor power cable with XLP insulation and PVC jacket materials.

3. Firestop System — The firestop system shall consist of the following:

A. Firestop Devices* — Firestop devices each consist of a rectangular steel frame, multi diameter elastomeric sealing modules, steel stay plates and a compression unit consisting of a Wedge. The firestop devices shall be inserted into the opening on both sides of the wall assembly. The steel frame of each firestop device shall be secured to the wall by means of 3/8 in. (10 mm) diam by min 1-3/4 in. (44 mm) long steel anchor bolts in conjunction with nuts and steel washers through the pre-drilled holes spaced max 3-1/2 in. (89 mm) OC in the device frame mounting flange. The rectangular opening(s) of each device frame shall be filled with multiple rows of multi diameter elastomeric sealing modules with a max of one cable in each sealing module. The sheets of the multi diameter sealing modules halves are removed one by one until a max gap of 0.04 in. (1 mm) is formed between the two module halves. When the number of sealing modules exceeds the number of cables, the solid cylindrical cores of the unpenetrated multi diameter sealing modules shall be left in place or "blank" (solid) sealing modules shall be used. During installation of the elastomeric sealing modules, thin steel stay plates shall be used to separate the rows of sealing modules and to retain the sealing modules within the steel frame. After installation of the modules, the bolts of the compression unit are tightened to form an effective seal around the through penetrants and insert modules. The firestop devices shall be installed in accordance with the accompanying installation instructions.

ROXTEC INTERNATIONAL AB — B-2x1, B-4x1, B-6x1, B-8x1, G-2x1, G-4x1, G-6x1, G-8x1, GH-2x1, GH-4x1, GH-6x1, GH-8x1, GH BG-2x1, GH BG-4x1, GH BG-6x1, GH BG-8x1, GHM-2x1, GHM-4x1, GHM-6x1 and GHM-8x1, GHM BG-2x1, GHM BG-4x1, GHM BG-6x1, GHM BG-8x1, GOH-2x1, GOH-4x1, GOH-6x1, GOH-8x1, GKOH-2x1, GKOH-4x1, GKOH-6x1, GKOH-8x1, SF-2x1, SF-4x1, SF-6x1, SF-8x1

ROXTEC INC — B-2x1, B-4x1, B-6x1, B-8x1, G-2x1, G-4x1, G-6x1, G-8x1, GH-2x1, GH-4x1, GH-6x1, GH-8x1, GH BG-2x1, GH BG-4x1, GH BG-6x1, GH BG-8x1, GHM-2x1, GHM-4x1, GHM-6x1 and GHM-8x1, GHM BG-2x1, GHM BG-4x1, GHM BG-6x1, GHM BG-8x1, GOH-2x1, GOH-4x1, GOH-6x1, GOH-8x1, GKOH-2x1, GKOH-4x1, GKOH-6x1, GKOH-8x1, SF-2x1, SF-4x1, SF-6x1, SF-8x1

Where RM ES B, RM PE B or RM BG, RM BG B, RM BG C elastomeric sealing modules are used, the T, FT and FTH Ratings are 0 Hr.

B. Silicone RTV Sealant — (Not Shown) — A min 1/4 in. (6 mm) diam bead of silicone RTV sealant shall be applied as a gasket between the device frame mounting flange and the wall. The sealant bead shall be located between the edge of the opening and the line of fasteners around the entire perimeter of the opening.

B1. Butyl Rubber Gasket — (Not Shown) — As an alternate to the RTV sealant, a nom 5/16 in. (8 mm) thick by 5/16 in. (8 mm) wide butyl rubber gasket with self-adhesive may be installed around the mounting flange. The gasket shall be recessed in approx 1/2 in. (13 mm) and 2 in. (51 mm) from the perimeter of the device frame mounting flange such that the continuous gasket bracket the line of fasteners along each side of the device.

C. Packing Material — Pieces of min 3 in. (76 mm) thick 2.76 pcf (44 kg/m³) density mineral wool batt insulation cut to line four sides of through opening within wall cavity. Pieces cut to length and tightly friction-fit between framing of wall opening and cables.

*** Indicates such products shall bear the UL or cUL Certification Mark for jurisdictions employing the UL or cUL Certification (such as Canada), respectively.**

Last Updated on 2017-10-06

[Questions?](#)

[Print this page](#)

[Terms of Use](#)

[Page Top](#)

© 2018 UL LLC

The appearance of a company's name or product in this database does not in itself assure that products so identified have been manufactured under UL's Follow-Up Service. Only those products bearing the UL Mark should be considered to be Certified and covered under UL's Follow-Up Service. Always look for the Mark on the product.

UL permits the reproduction of the material contained in the Online Certification Directory subject to the following conditions: 1. The Guide Information, Assemblies, Constructions, Designs, Systems, and/or Certifications (files) must be presented in their entirety and in a non-misleading manner, without any manipulation of the data (or drawings). 2. The statement "Reprinted from the Online Certifications Directory with permission from UL" must appear adjacent to the extracted material. In addition, the reprinted material must include a copyright notice in the following format: "© 2018 UL LLC".