



System No. W-J-1300 XHEZ.W-J-1300 Through-penetration Firestop Systems

[Page Bottom](#)

Design/System/Construction/Assembly Usage Disclaimer

- Authorities Having Jurisdiction should be consulted in all cases as to the particular requirements covering the installation and use of UL Certified products, equipment, system, devices, and materials.
- Authorities Having Jurisdiction should be consulted before construction.
- Fire resistance assemblies and products are developed by the design submitter and have been investigated by UL for compliance with applicable requirements. The published information cannot always address every construction nuance encountered in the field.
- When field issues arise, it is recommended the first contact for assistance be the technical service staff provided by the product manufacturer noted for the design. Users of fire resistance assemblies are advised to consult the general Guide Information for each product category and each group of assemblies. The Guide Information includes specifics concerning alternate materials and alternate methods of construction.
- Only products which bear UL's Mark are considered Certified.

XHEZ - Through-penetration Firestop Systems

XHEZ7 - Through-penetration Firestop Systems Certified for Canada

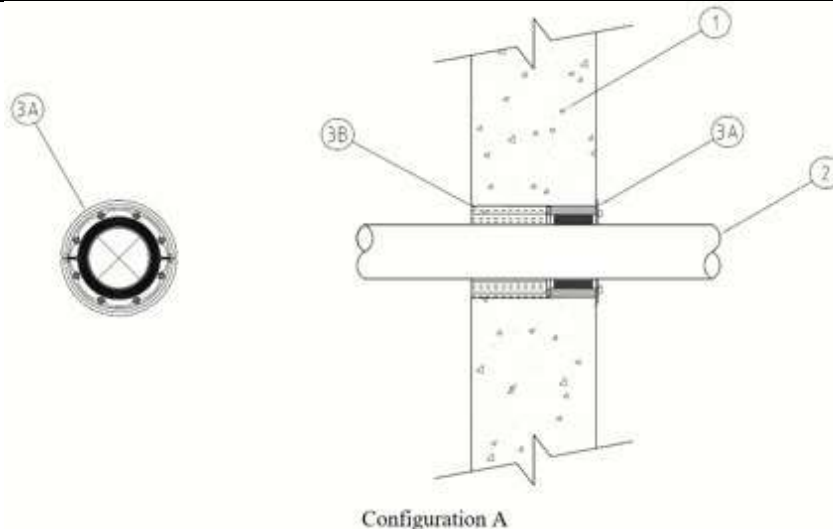
[See General Information for Through-penetration Firestop Systems](#)

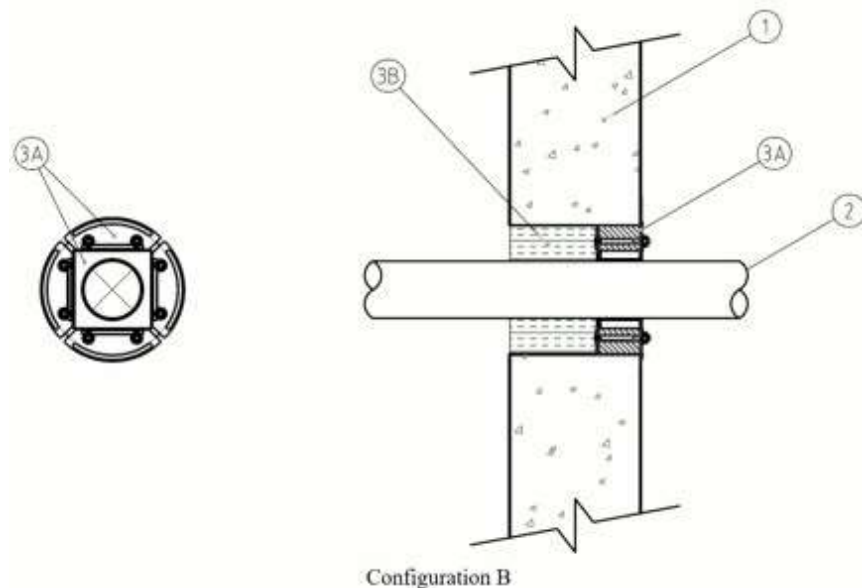
[See General Information for Through-penetration Firestop Systems Certified for Canada](#)

System No. W-J-1300

September 10, 2018

ANSI/UL1479 (ASTM E814)	CAN/ULC S115
F Rating — 2 Hr	F Rating — 2 Hr
T Rating — 1/2 Hr	FT Rating — 1/2 Hr
	FH Rating — 2 Hr
	FTH Rating — 1/2 Hr





1. **Wall Assembly** — Min 6 in. (152 mm) thick reinforced lightweight or normal weight (100-150 pcf or 1600-2400 kg/m³) concrete. Wall may also be constructed of any UL Classified **Concrete Blocks***. Max diam of opening is 8 in. (202 mm) for the Type R devices and 6 in. (152 mm) for the Type RS devices.

See **Concrete Blocks** (CAZT) category in the Fire Resistance Directory for names of manufacturers.

2. **Through Penetrant** — One metallic pipe to be centered within the firestop system. Pipe to be rigidly supported on each side of wall assembly. The following types and sizes of metallic pipes may be used:

- A. **Stainless Steel Pipe** — Nom 4 in. (102 mm) diam (or smaller) Schedule 40 (or heavier) stainless steel pipe for use in the Type RS devices.
- B. **Stainless Steel Pipe** — Nom 3 in. (76 mm) diam (or smaller) Schedule 40 (or heavier) stainless steel pipe for use in the Type R devices.
- C. **Conduit** — Nom 4 in. (102 mm) diam (or smaller) rigid steel conduit for use in the Type RS devices.
- D. **Conduit** — Nom 3 in. (76 mm) diam (or smaller) rigid steel conduit for use in the Type R devices.

3. **Firestop System** — The details of the firestop system shall be as follows:

A. **Firestop Device*** — Configuration A - Circular RS transit firestop device for use in pre-drilled or pre-formed openings, sized to the OD of the device. Each device consists of two semi-circular elastomeric inserts with removable elastomeric layers and steel compression plates. The elastomeric layers of the device are removed symmetrically until a max gap of 0.04 (1 mm) is formed between the two inserts. After installation of the device into the opening, the nuts of the compression plate are tightened to form an effective seal around the penetrating item. The device is intended to be installed into the opening flush with one side of wall, in accordance with the accompanying installation instructions.

ROXTEC INTERNATIONAL AB — Types RS-23, RS-25, RS-31, RS 43, RS-50, RS-68, RS-75, RS-100, RS-125 or RS-150. Types RS-23 ES, RS-25 ES, RS-31 ES, RS 43 ES, RS-50 ES, RS-68 ES, RS-75 ES, RS-100 ES, RS-125 ES or RS-150 ES. Types RS-23 PE, RS-25 PE, RS-31 PE, RS 43 PE, RS-50 PE, RS-68 PE, RS-75 PE, RS-100 PE, RS-125 PE or RS-150 PE.

ROXTEC INC — Type ROX RS-50, ROX RS-68, ROX RS-75, or ROX RS-100.

A1. **Firestop Device*** — Configuration B - Circular R transit firestop device kit for use in pre-drilled or pre-formed openings, sized to the OD of the device. Each device consists of a round elastomeric insert with steel compression plates and square packing space for the penetrants and elastomeric sealing modules. Each module consists of two module halves and elastomeric layers shaped into a semi-circle. The sealing modules are fit around the through penetrant within the opening and the layers are removed symmetrically until a max gap of 0.04 (1 mm) is formed between the two module halves. After installation of the modules into the device, the bolts of the compression plate are tightened to form an effective seal around the penetrants. The device is intended to be installed into the opening flush with one side of wall, in accordance with the accompanying installation instructions.

ROXTEC INTERNATIONAL AB — Types R-70, R-75, R-100, R-125, R-127, R-150 or R-200. Types R-70 EMC, R-75 EMC, R-100 EMC, R-125 EMC, R-127 EMC, R-150 EMC or R-200 EMC.

ROXTEC INC — Type ROX R-100, ROX R-127, ROX R-150, ROX R-200.

B. Packing Material — Min 3 in. (76 mm) thickness of min 4 pcf (64 kg/m³) mineral wool batt insulation firmly packed into opening against the device and flush with face of wall.

*** Indicates such products shall bear the UL or cUL Certification Mark for jurisdictions employing the UL or cUL Certification (such as Canada), respectively.**

Last Updated on 2018-09-10

[Questions?](#)

[Print this page](#)

[Terms of Use](#)

[Page Top](#)

© 2018 UL LLC

The appearance of a company's name or product in this database does not in itself assure that products so identified have been manufactured under UL's Follow-Up Service. Only those products bearing the UL Mark should be considered to be Certified and covered under UL's Follow-Up Service. Always look for the Mark on the product.

UL permits the reproduction of the material contained in the Online Certification Directory subject to the following conditions: 1. The Guide Information, Assemblies, Constructions, Designs, Systems, and/or Certifications (files) must be presented in their entirety and in a non-misleading manner, without any manipulation of the data (or drawings). 2. The statement "Reprinted from the Online Certifications Directory with permission from UL" must appear adjacent to the extracted material. In addition, the reprinted material must include a copyright notice in the following format: "© 2018 UL LLC".