

Installation checklist for Roxtec rectangular frames



For disclaimer and instructions of use, see Installation checkpoints rectangular frames ASS2011004301.

Project/object:

Date:

Transit name:

Full name:

Frame type:

Company:

Opening:

C1	C2	C3	C4	C5	C6	C7	C8	C9	C10
B1	B2	B3	B4	B5	B6	B7	B8	B9	B10
A1	A2	A3	A4	A5	A6	A7	A8	A9	A10

Signature:

Check-point

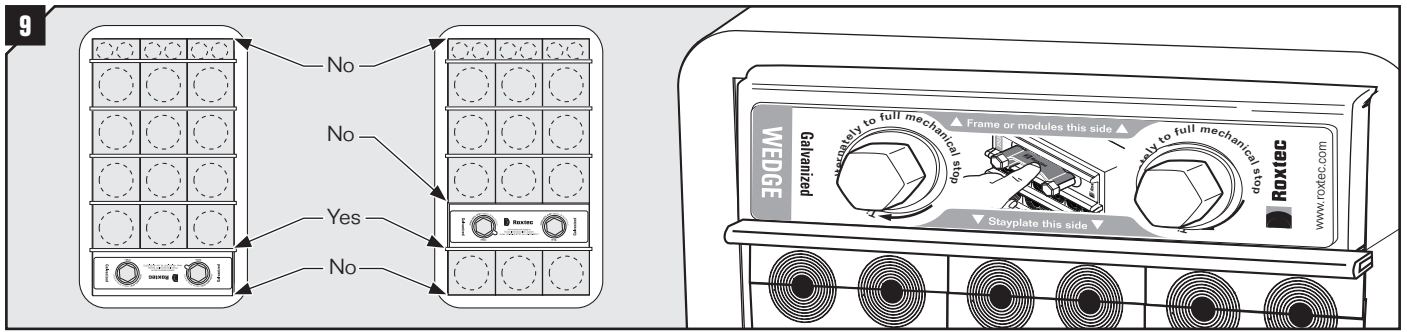
Activity

OK

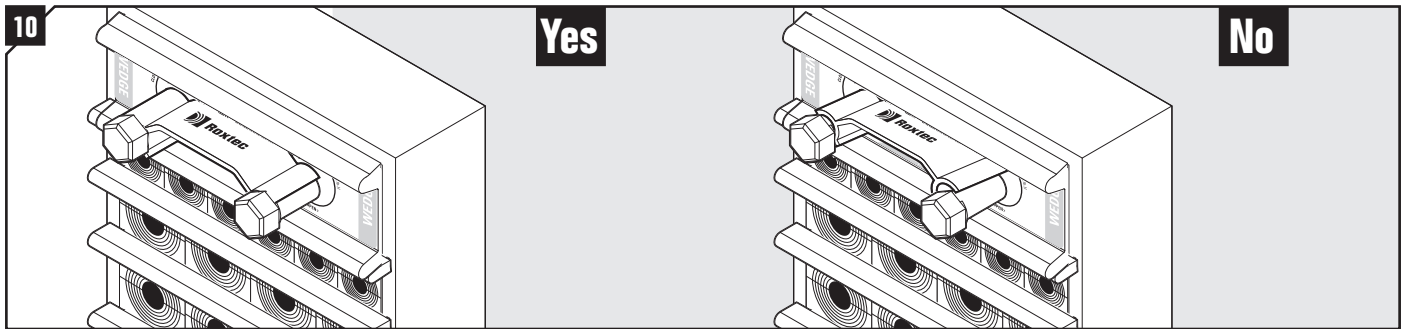
Not OK

Check-point	Activity	OK	Not OK
1	Verify original Roxtec frame by marking.		
2	Check for mechanical damages.		
3	Verify the utilization of the packing space.		
4	Check that only one cable/pipe passes through each module.		
5	Check that there is no center cores missing.		
6	Check that there are no visible gap between cable/pipe and module halves.		
7	Check that each consecutive row is divided by a stayplate.		
8	All modules are within the edges of the stayplates.		
9	Verify that there is no stayplate installed next to the frame.		
10	Check that the wedge is fully tightened.		
11	Make sure the frame and the modules have been lubricated.		
12	Check for gaskets and attachment bolts, if applicable.		
13	Check additional installations, if applicable. Make sure that cables go straight through the frame.		

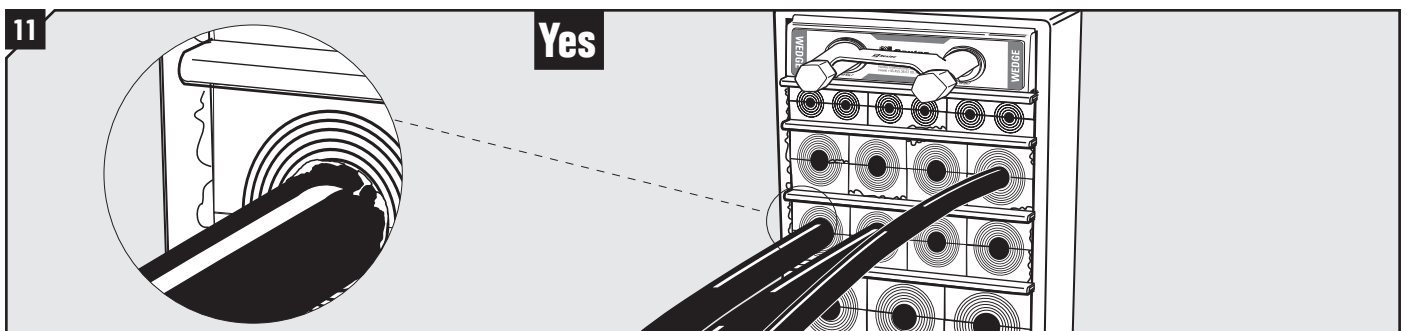
Notes:



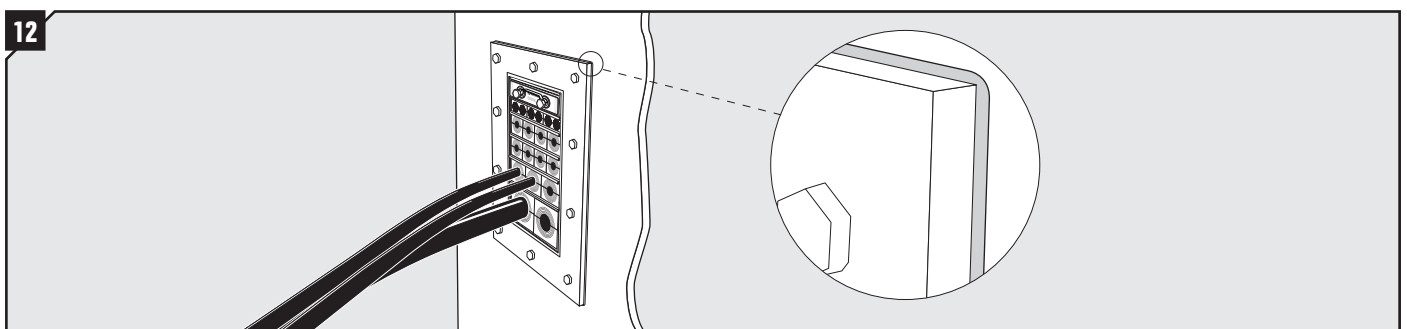
Verify that there is no stayplate installed between modules and the frame or between the wedge and the frame. Verify the correct orientation of the wedge according to the label on the wedge front side or printed text on the upper and lower faces of the unit.



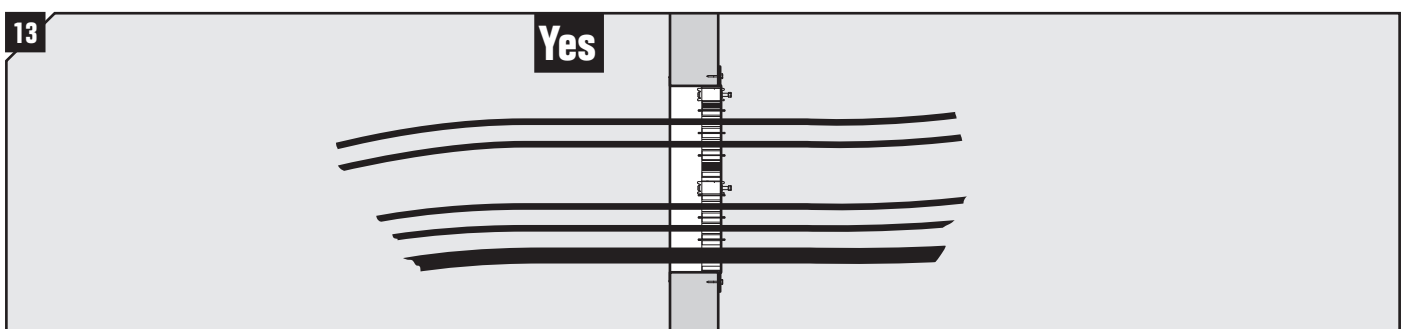
Check that the wedge is fully tightened by verifying that the wedge clip is installed and fits behind the bolt heads.



Check that the frame and the modules have been lubricated. Excess lubricant shall be visible directly after installation.



Make sure that bolted frame types are sealed to the structure and that all attachment points are used.



Make sure that cables go straight through the frame.

Note

- If possible, take an overlook at the other side of the transit.
- Check additional installations according to certification requirements, e.g. insulation.

DISCLAIMER

"The Roxtec cable entry sealing system ("the Roxtec system") is a modular-based system of sealing products consisting of different components. Each and every one of the components is necessary for the best performance of the Roxtec system. The Roxtec system has been certified to resist a number of different hazards. Any such certification, and the ability of the Roxtec system to resist such hazards, is dependent on all components that are installed as a part of the Roxtec system. Thus, the certification is not valid and does not apply unless all components installed as part of the Roxtec system are manufactured by or under license from Roxtec ("authorized manufacturer"). Roxtec gives no performance guarantee with respect to the Roxtec system, unless (I) all components installed as part of the Roxtec system are manufactured by an authorized manufacturer and (II) the purchaser is in compliance with (a), and (b), below.

(a) During storage, the Roxtec system or part thereof, shall be kept indoors in its original packaging at room temperature.

(b) Installation shall be carried out in accordance with Roxtec installation instructions in effect from time to time.

The product information provided by Roxtec does not release the purchaser of the Roxtec system, or part thereof, from the obligation to independently determine the suitability of the products for the intended process, installation and/or use.

Roxtec gives no guarantee for the Roxtec system or any part thereof and assumes no liability for any loss or damage whatsoever, whether direct, indirect, consequential, loss of profit or otherwise, occurred or caused by the Roxtec systems or installations containing components not manufactured by an authorized manufacturer and/or occurred or caused by the use of the Roxtec system in a manner or for an application other than for which the Roxtec system was designed or intended.

Roxtec expressly excludes any implied warranties of merchantability and fitness for a particular purpose and all other express or implied representations and warranties provided by statute or common law. User determines suitability of the Roxtec system for intended use and assumes all risk and liability in connection therewith. In no event shall Roxtec be liable for indirect, consequential, punitive, special, exemplary or incidental damages or losses."



Roxtec International AB
Box 540, 371 23 Karlskrona, SWEDEN
PHONE +46 455 36 67 00, FAX +46 455 820 12
EMAIL info@roxtec.com, www.roxtec.com