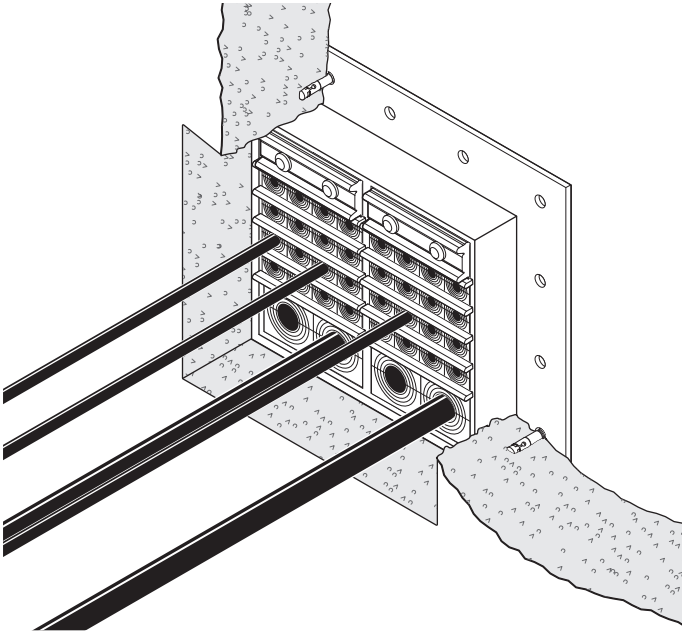


General information

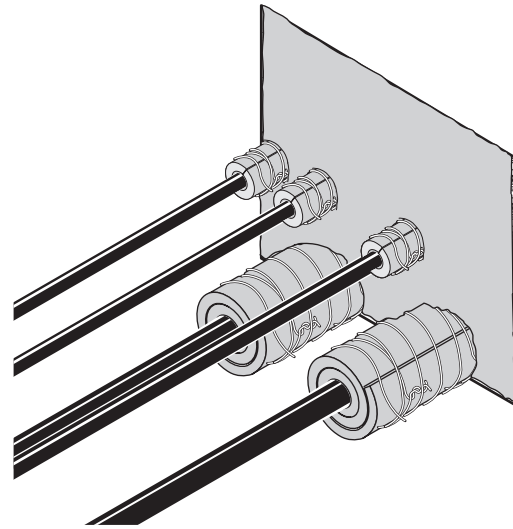
See specific information about dimensions, type of insulation etc. according to your required fire certification.

Wire mesh must be of stainless steel type, if used.

Fire insulation guidelines for land-based applications

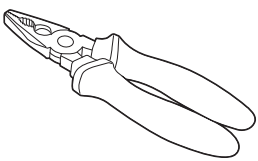


Before fire insulation installation.

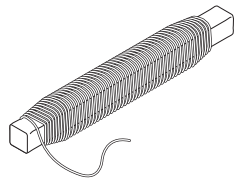


Complete installation of fire insulation.

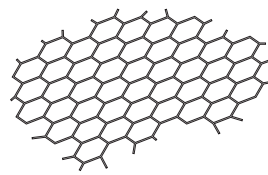
Parts / tools



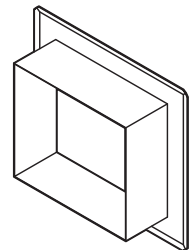
Pliers



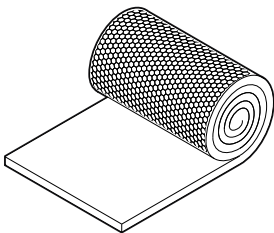
Steel wire



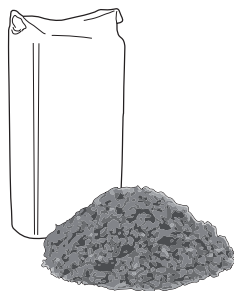
Wire mesh



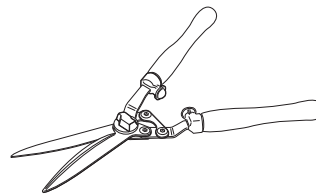
Extension frame



Insulation sheet A1 class
(100kg/m³)



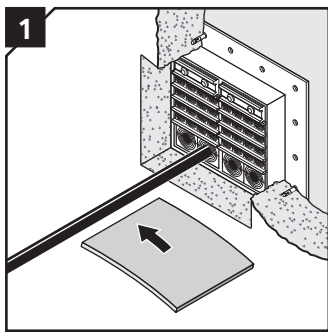
Loose wool insulation A1 class



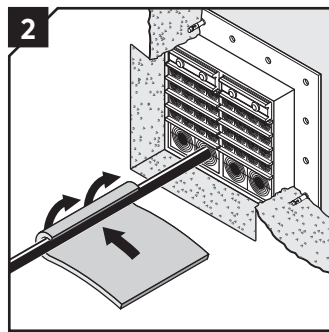
Hedge clippers

Installation of fire insulation

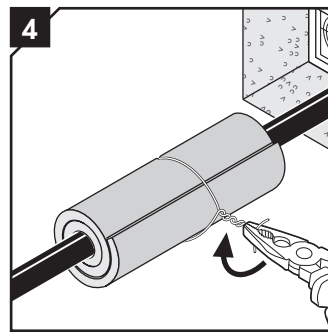
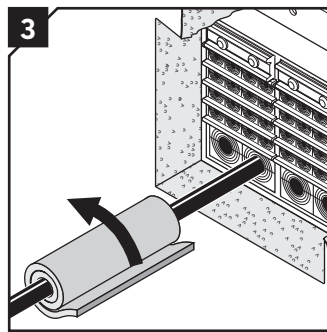
Check the certificate for required insulating thickness for each cable/pipe.



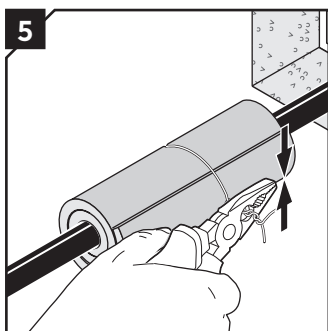
Cut a sheet of insulation to the correct size according to insulation drawing/certification drawing.



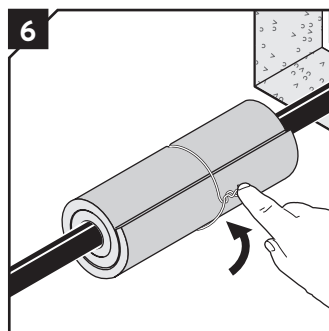
Wrap the sheet of insulation around the cable/pipe. Thickness of insulation according to insulation drawing.



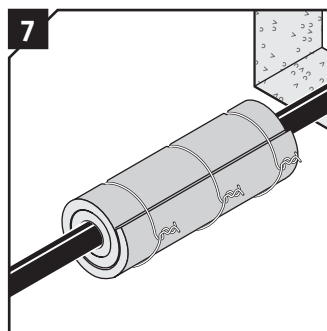
Secure the insulation to the cable/pipe using steel wire.



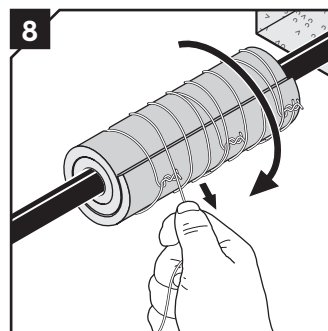
Cut the excess wire.



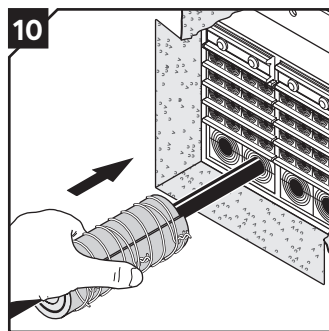
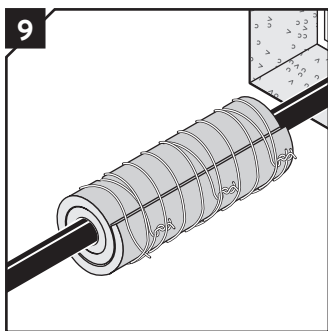
Fold the steel wire ends.



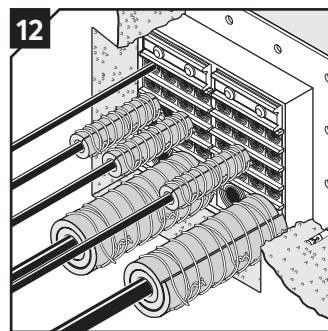
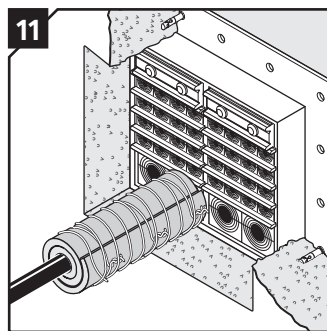
Repeat step 4-6 a couple of times to ensure that the insulation stays in place.



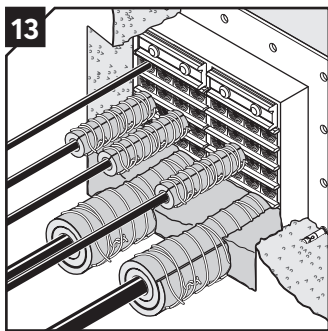
Wrap steel wire around the roll of insulation to compress it.



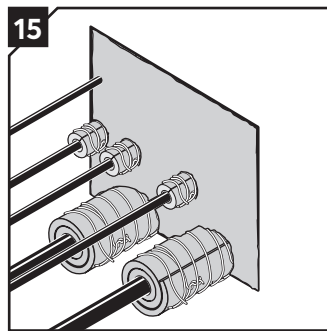
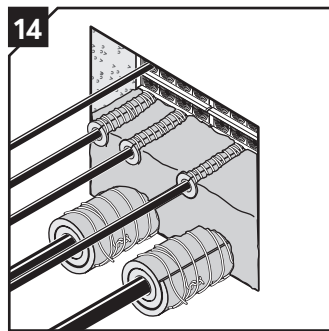
Slide the roll of insulation along the cable/pipe into the opening.



Add insulation rolls according to step 1-11 to the other cables/pipes which require more insulation than the wall depth packed with loose wool can provide.

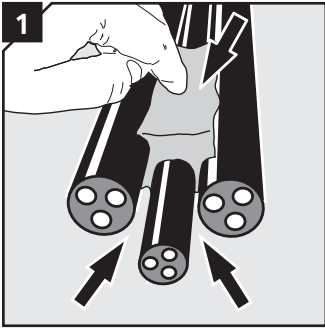


Start to fill up with loose wool between the cables/pipes. Pack insulation to high density. If the depth of the cavity is not sufficient, use an extension frame as described on the next page.

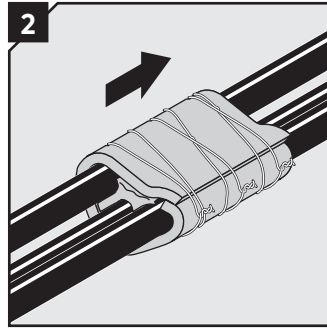


Continue to add insulation until the opening is full.

Insulation of bundled cables/pipes

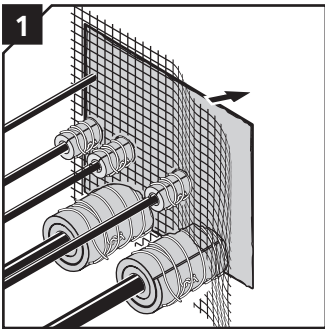


When cables/pipes are close together, place loose wool between them to keep them separated.

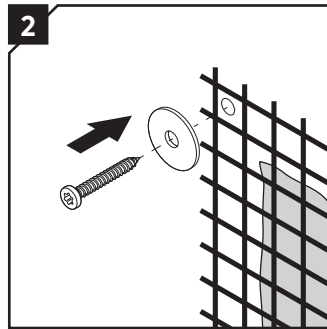


Wrap insulation around all cables and loose insulation. Wrap steel wire around the insulation and slide it into place.

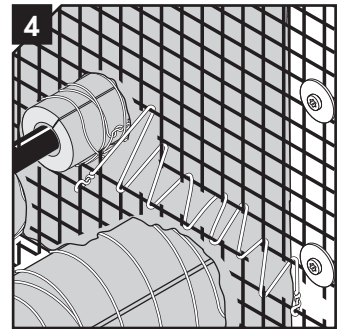
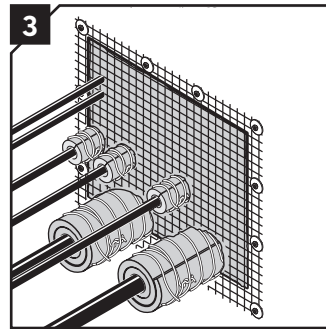
Installation of optional wire mesh



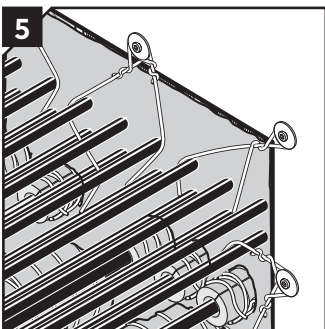
Add a stainless steel wire mesh or similar to keep the insulation in place.



Use suitable fasteners to secure the mesh.

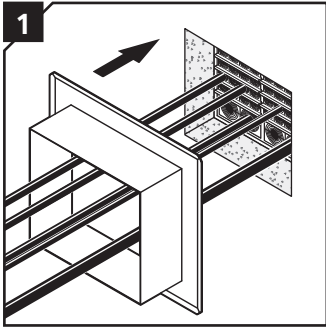


Gaps in the wire mesh can be tied together with stainless steel wire.

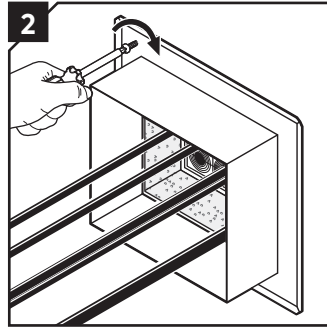


For tightly packed transits, use stainless steel wire and screws to retain the loose wool in the cavity.

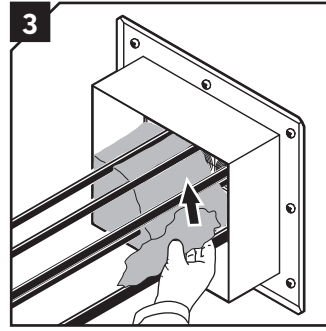
Installation of fire insulation with extension frame



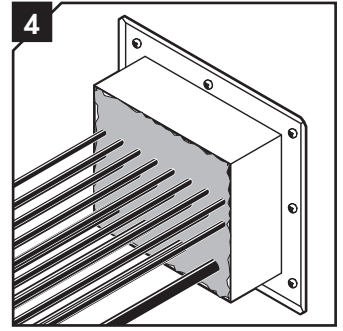
Use an extension frame if there is not enough depth in the cavity for the insulation.



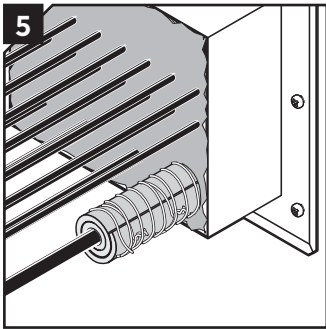
Fasten the extension frame to the structure with suitable fasteners.



Add insulation wool of the correct size into the extension frame according to insulation drawing/certification drawing. Ensure that the loose wool is retained in the extension frame.



For tightly packed transits, there is no need for insulation rolls if an extension frame provides the insulation length stated in the insulation drawing/certification drawing. Use loose wool packed to high density. Use steel wire and screws to retain the loose wool in the cavity as seen in step 5 on the previous page.



Example of one cable/pipe requiring more insulation than the others.

Note

- See specific information about dimensions, type of insulation etc. according to your required fire certification.

DISCLAIMER

"The Roxtec cable entry sealing system ("the Roxtec system") is a modular-based system of sealing products consisting of different components. Each and every one of the components is necessary for the best performance of the Roxtec system. The Roxtec system has been certified to resist a number of different hazards. Any such certification, and the ability of the Roxtec system to resist such hazards, is dependent on all components that are installed as a part of the Roxtec system. Thus, the certification is not valid and does not apply unless all components installed as part of the Roxtec system are manufactured by or under license from Roxtec ("authorized manufacturer"). Roxtec gives no performance guarantee with respect to the Roxtec system, unless (I) all components installed as part of the Roxtec system are manufactured by an authorized manufacturer and (II) the purchaser is in compliance with (a), and (b), below.
 (a) During storage, the Roxtec system or part thereof, shall be kept indoors in its original packaging at room temperature.
 (b) Installation shall be carried out in accordance with Roxtec installation instructions in effect from time to time.

The product information provided by Roxtec does not release the purchaser of the Roxtec system, or part thereof, from the obligation to independently determine the suitability of the products for the intended process, installation and/or use.

Roxtec gives no guarantee for the Roxtec system or any part thereof and assumes no liability for any loss or damage whatsoever, whether direct, indirect, consequential, loss of profit or otherwise, occurred or caused by the Roxtec systems or installations containing components not manufactured by an authorized manufacturer and/or occurred or caused by the use of the Roxtec system in a manner or for an application other than for which the Roxtec system was designed or intended.

Roxtec expressly excludes any implied warranties of merchantability and fitness for a particular purpose and all other express or implied representations and warranties provided by statute or common law. User determines suitability of the Roxtec system for intended use and assumes all risk and liability in connection therewith. In no event shall Roxtec be liable for indirect, consequential, punitive, special, exemplary or incidental damages or losses."



Roxtec International AB
 Box 540, 371 23 Karlskrona, SWEDEN
 PHONE +46 455 36 67 00, FAX +46 455 820 12
 EMAIL info@roxtec.com, www.roxtec.com