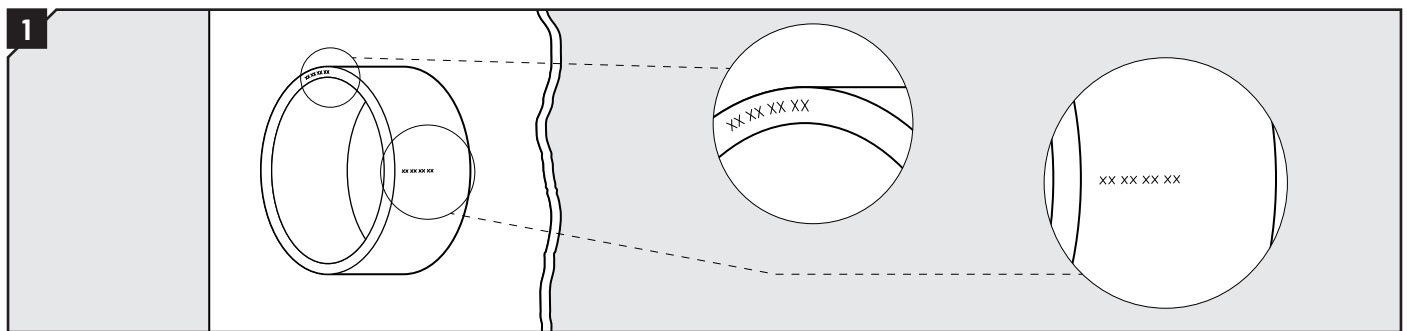


Project/object _____

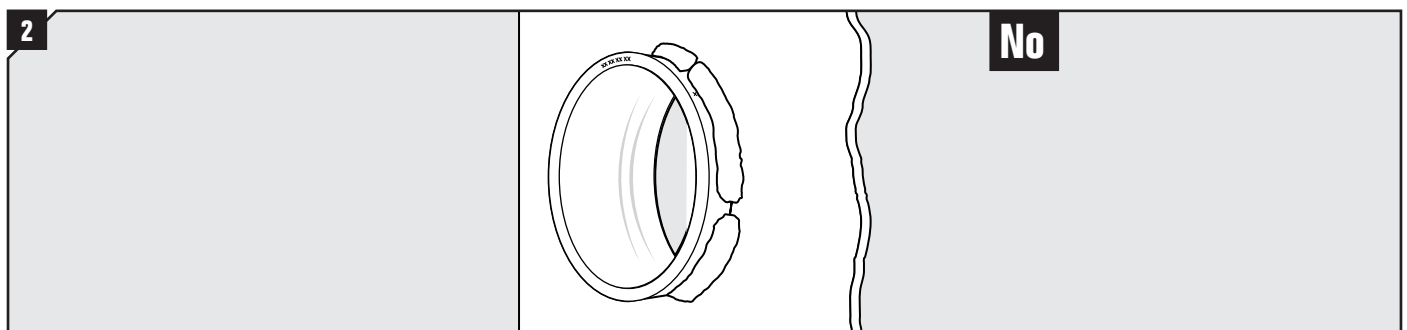
Location _____

This list of installation checkpoints can be used to visually assess a Roxtec cable/pipe transit sealing system installation. The check is performed to visually verify the correctness of an installation, not a commissioning or functional inspection. The verifications shall be performed and evaluated with the understanding that not all installation errors can be visually detected, even if it is a great help in the quality assurance work. The installation check is limited to those areas and sections of the installation to which reasonable access is both available and permitted at the date of checking. The scope of these installation checkpoints is limited to the transit (frame, modules, stayplates and wedge). Consequently, it does not cover the attachment of the transit to the structure in question, e.g. insulation required, nor the correctness, quality or routing of cables/pipes. If possible perform the installation check from both sides of the transit.

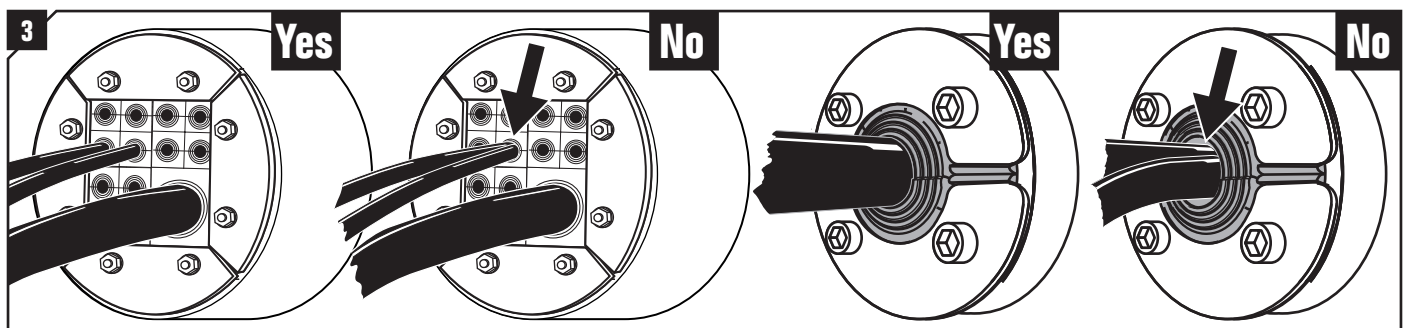
Checkpoints



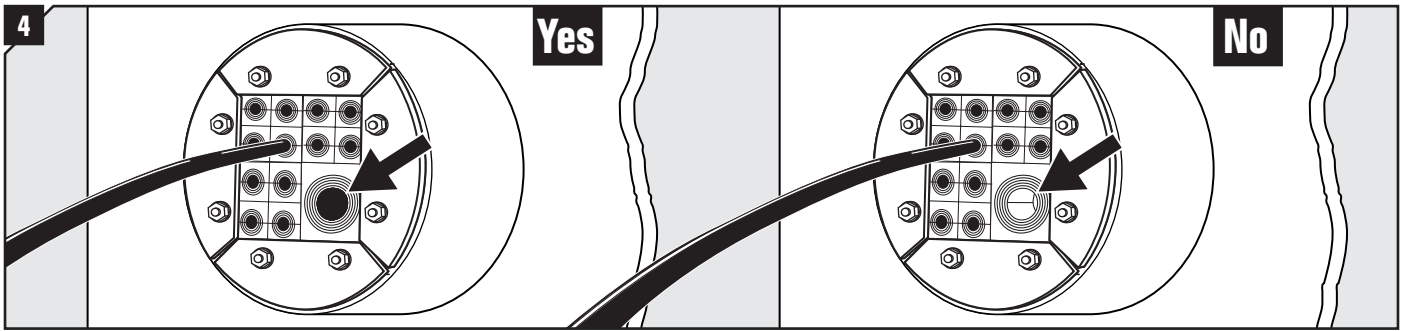
Original Roxtec sleeves are identified by Roxtec marking, serial number marking or label. Sleeves can have marking on the front face or the side.



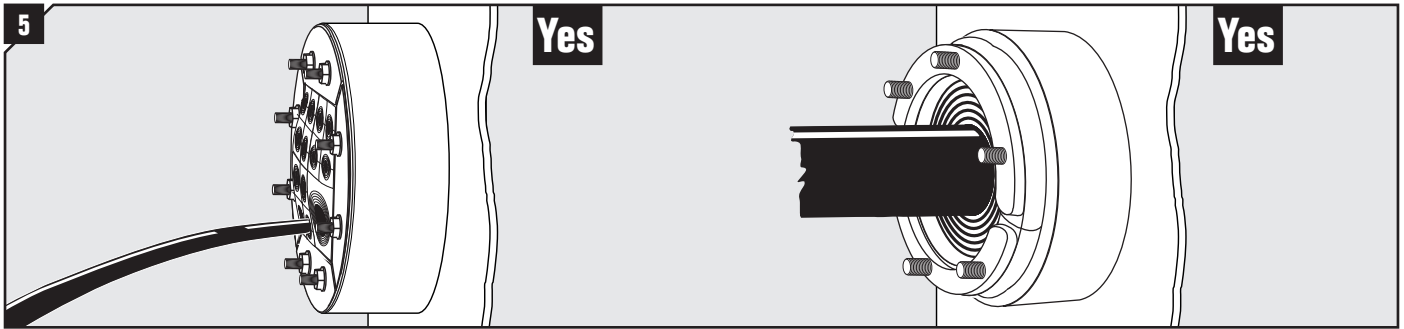
Check that the transit and packing system have no mechanical damages, including surface protection, if any. For welding, see Roxtec welding guidelines.



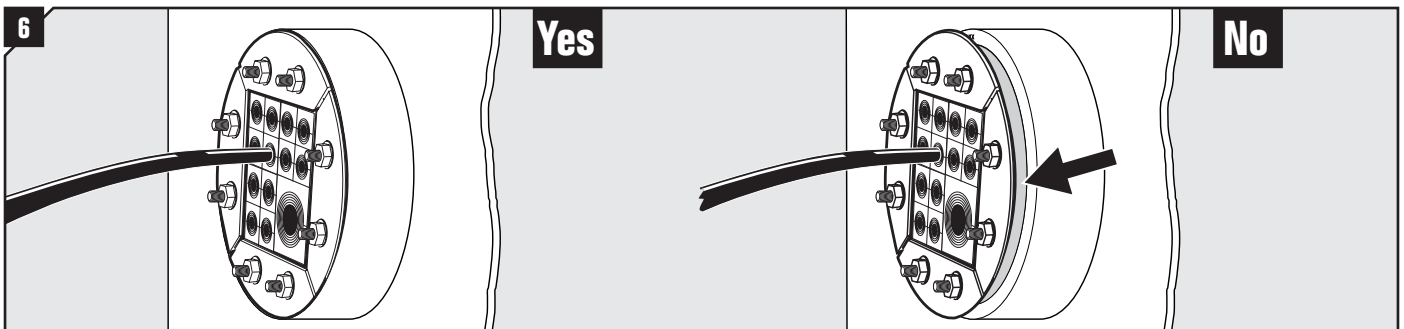
Check that only one cable/pipe passes through each module or opening in a module.



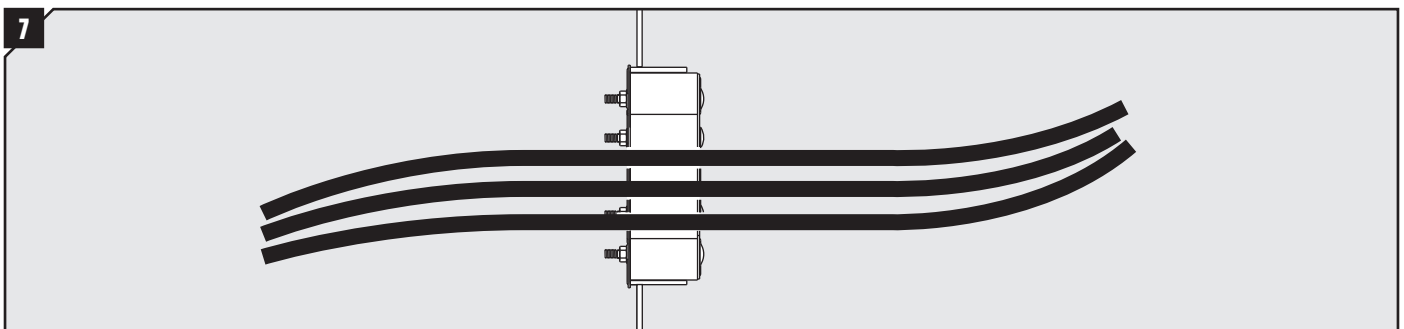
Check that there are no center cores missing.



Check that all bolts are tightened similarly.

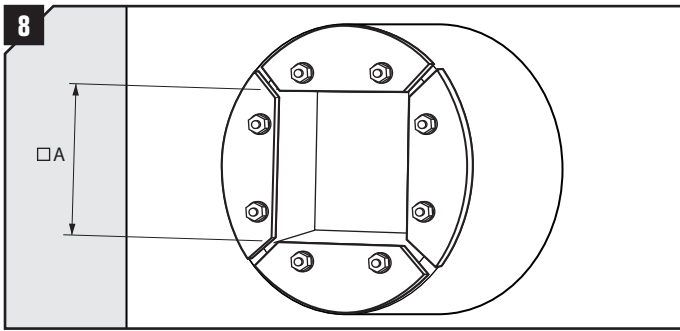


Verify that the frame is pushed in all the way to the sleeve.



Make sure that cables go straight through the frame.

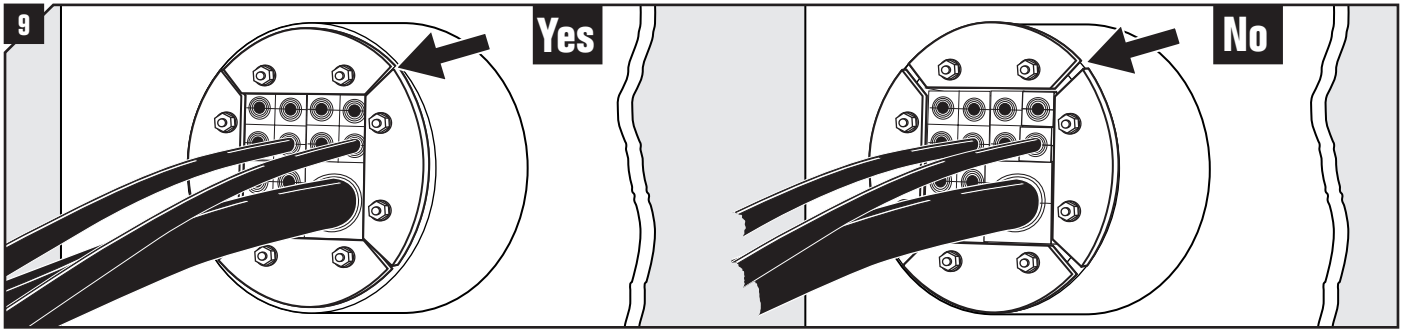
R Frames



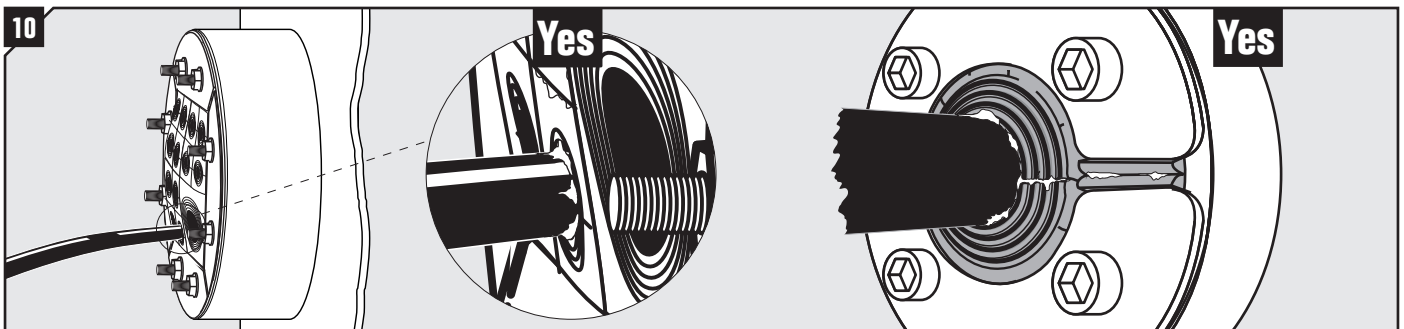
Roxtec R frame packing space

Frame	Packing space
R70/75	□A=40mm
R100	□A=60mm
R125/127	□A=80mm
R150	□A=90mm
R200	□A=120mm

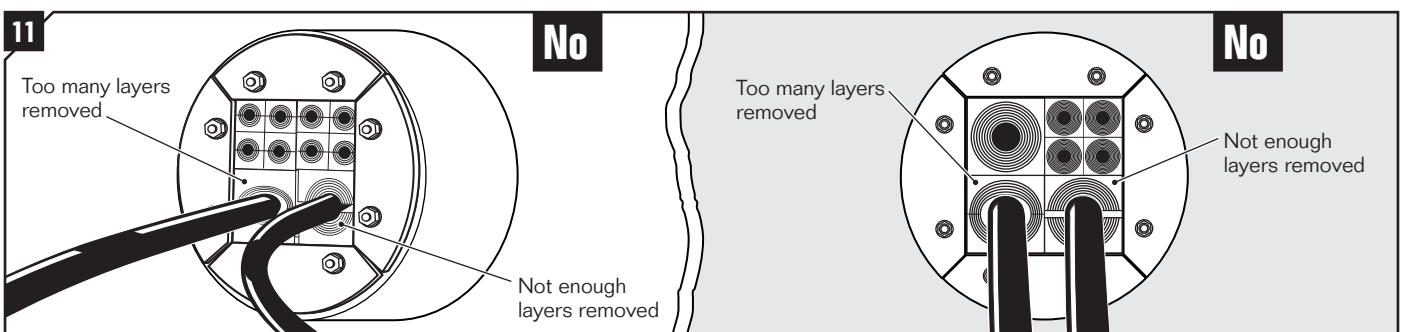
Verify the correct utilization of the entire packing space (R frames).



Make sure that the front fittings are positioned so that the modules are retained.



Check the compression by verifying that the bolts are tightened similarly and that excessive lubricant is visible directly after installation.



Check that there is no visible gap between cable/pipe and module halves. Maximum one layer difference between halves of the same module. Check that front fitting still holds the modules retained after bolts are tightened.

Note

- If possible, take an overlook at the other side of the transit.
- Check additional installations according to certification requirements, e.g. insulation.

DISCLAIMER

"The Roxtec cable entry sealing system ("the Roxtec system") is a modular-based system of sealing products consisting of different components. Each and every one of the components is necessary for the best performance of the Roxtec system. The Roxtec system has been certified to resist a number of different hazards. Any such certification, and the ability of the Roxtec system to resist such hazards, is dependent on all components that are installed as a part of the Roxtec system. Thus, the certification is not valid and does not apply unless all components installed as part of the Roxtec system are manufactured by or under license from Roxtec ("authorized manufacturer"). Roxtec gives no performance guarantee with respect to the Roxtec system, unless (I) all components installed as part of the Roxtec system are manufactured by an authorized manufacturer and (II) the purchaser is in compliance with (a), and (b), below.

(a) During storage, the Roxtec system or part thereof, shall be kept indoors in its original packaging at room temperature.

(b) Installation shall be carried out in accordance with Roxtec installation instructions in effect from time to time.

The product information provided by Roxtec does not release the purchaser of the Roxtec system, or part thereof, from the obligation to independently determine the suitability of the products for the intended process, installation and/or use.

Roxtec gives no guarantee for the Roxtec system or any part thereof and assumes no liability for any loss or damage whatsoever, whether direct, indirect, consequential, loss of profit or otherwise, occurred or caused by the Roxtec systems or installations containing components not manufactured by an authorized manufacturer.

Roxtec expressly excludes any implied warranties of merchantability and fitness for a particular purpose and all other express or implied representations and warranties provided by statute or common law. User determines suitability of the Roxtec system for intended use and assumes all risk and liability in connection therewith. In no event shall Roxtec be liable for consequential, punitive, special, exemplary or incidental damages."



Roxtec International AB
Box 540, 371 23 Karlskrona, SWEDEN
PHONE +46 455 36 67 00, FAX +46 455 820 12
EMAIL info@roxtec.com, www.roxtec.com