

Installation checklist for Roxtec CF 8 and CF 32 transits



For disclaimer and instructions of use, see Installation checkpoints Roxtec CF 8 and CF 32, DOC-002559.

Project/object:

Date:

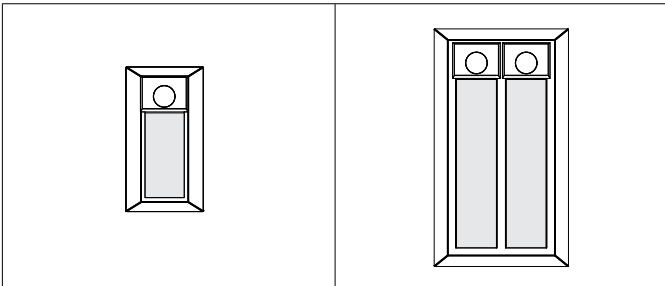
Transit name:

Full name:

Frame type:

Company:

Opening:



Signature:

Check-point

Activity

OK

Not OK

Check-point	Activity	OK	Not OK
1	Check for mechanical damages.		
2	Verify the correct utilization of the entire packing space.		
3	Check that only one cable/pipe passes through each module or opening in a module.		
4	Check that there are no center cores missing.		
5	Check that there is no visible gap between cable/pipe and modules after compression. Maximum one layer's difference between halves of the same module.		
6	Check that all modules are within the edges of the frame.		
7	Visible excess Roxtec Lubricant is a sign of good compression.		
8	Check the orientation of the counterframe (A). The text on the counterframe shall face the structure. Ensure that no text is visible on the counterframe.		
9	Ensure that the counterframe is not distorted (A). The counterframe shall be clamped by the nuts (B).		
10	The cables shall go straight through the frame.		

Notes:

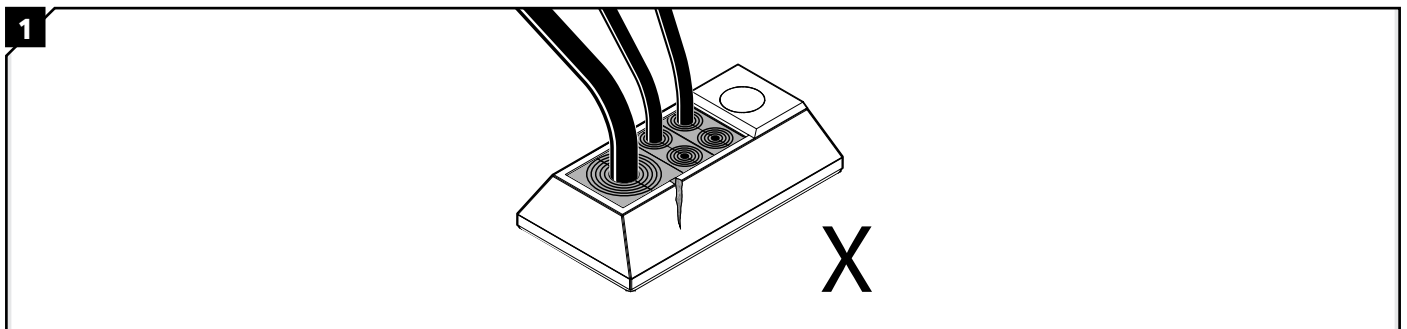
Installation checkpoints Roxtec CF 8 and CF 32

This list of installation checkpoints can be used to visually assess a Roxtec cable/pipe transit sealing system installation. The check is performed to visually verify the correctness of an installation, not a commissioning or functional inspection. The verifications shall be performed and evaluated with the understanding that not all installation errors can be visually detected, even if it is a great help in the quality assurance work. The installation check is limited to those areas and sections of the installation to which reasonable access is both available and permitted at the date of checking. The scope of these installation checkpoints is limited to the transit (frame and modules). Consequently, it does not cover the correctness, quality or routing of cables/pipes.

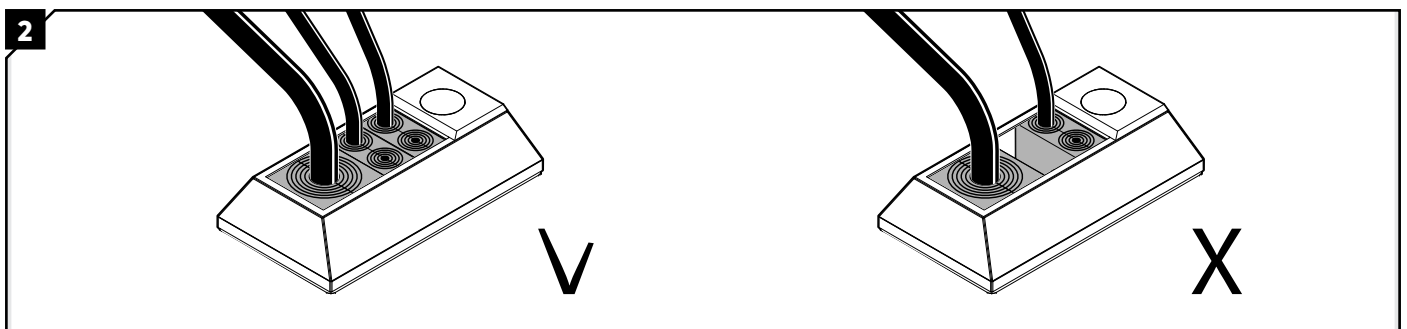
Checkpoints

✓ = Correct

✗ = Incorrect



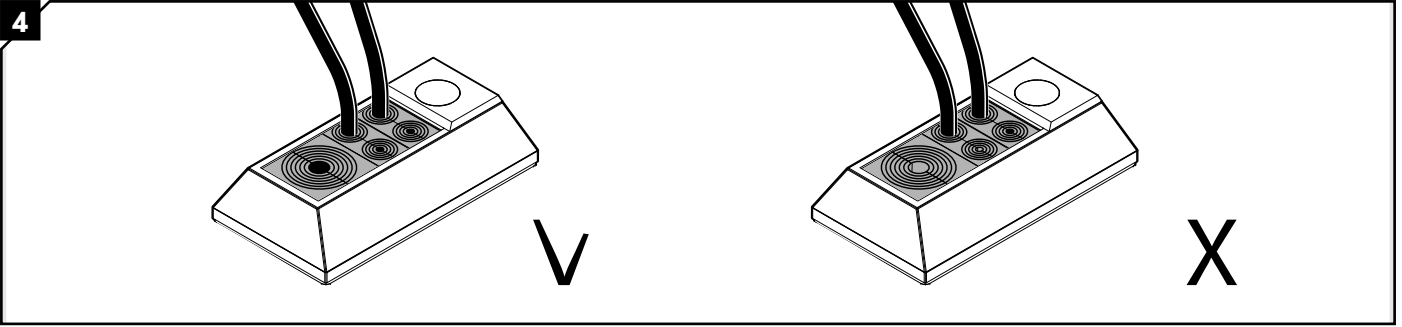
Check for mechanical damage.



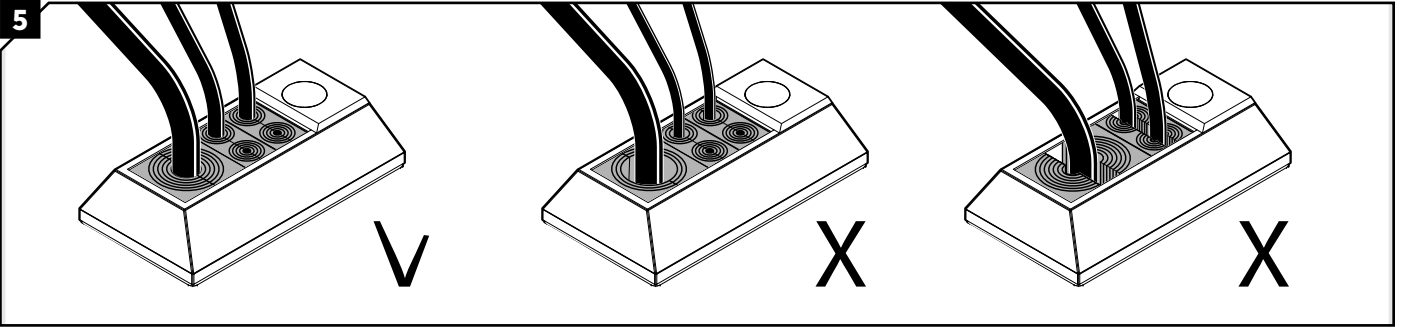
Verify the correct utilization of the entire packing space.



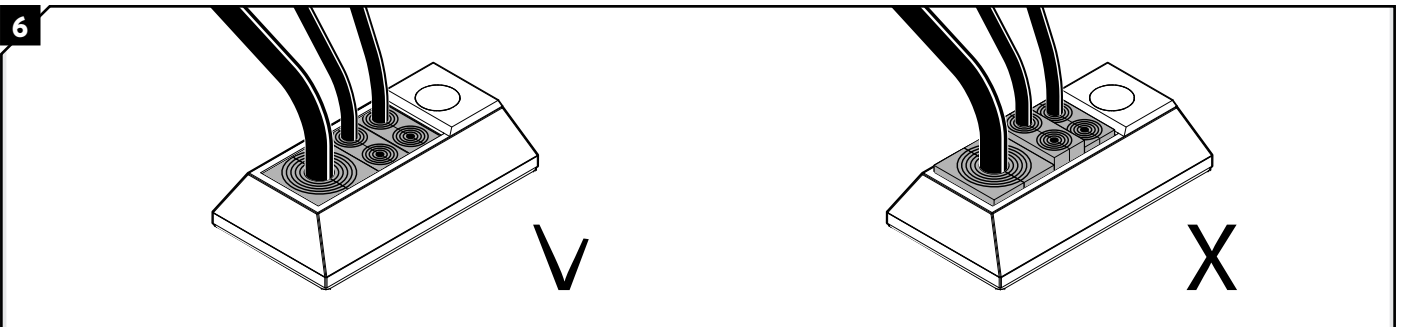
Check that only one cable/pipe passes through each module or opening in a module.



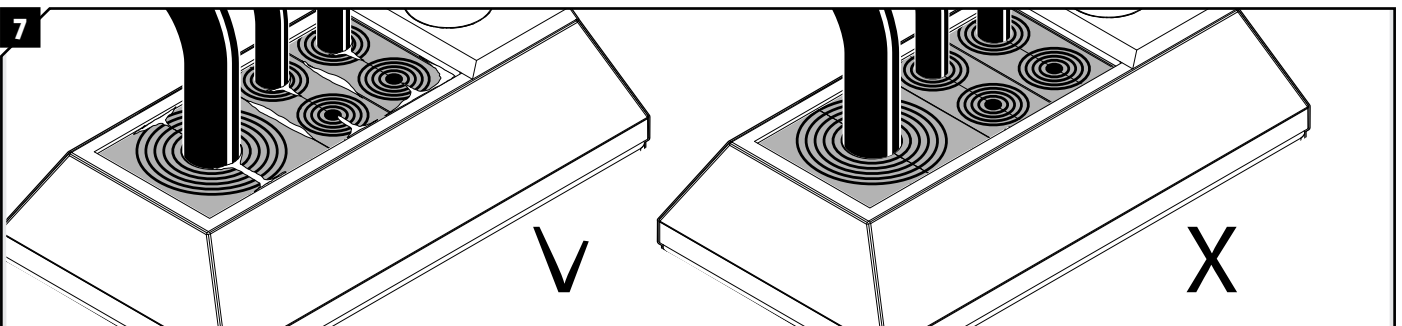
Check that there are no center cores missing.



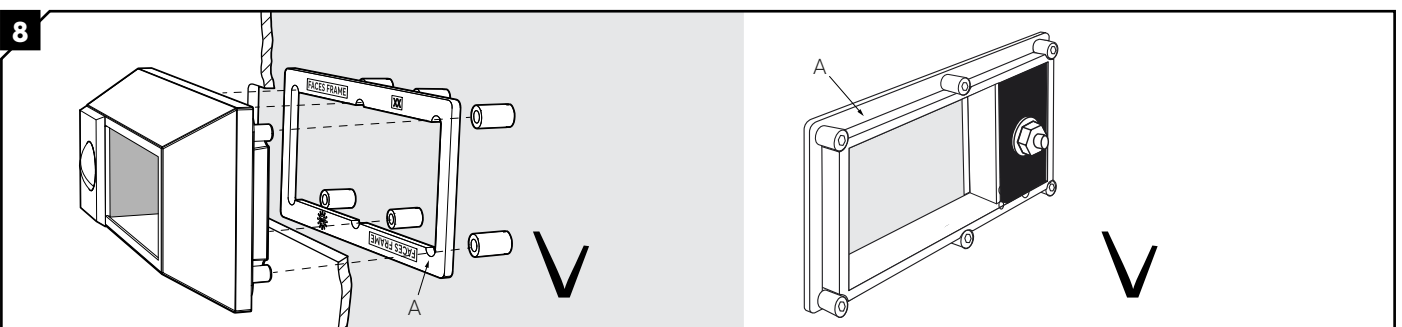
Check that there is no visible gap in the transit after compression. Maximum one layer's difference between halves of the same module.



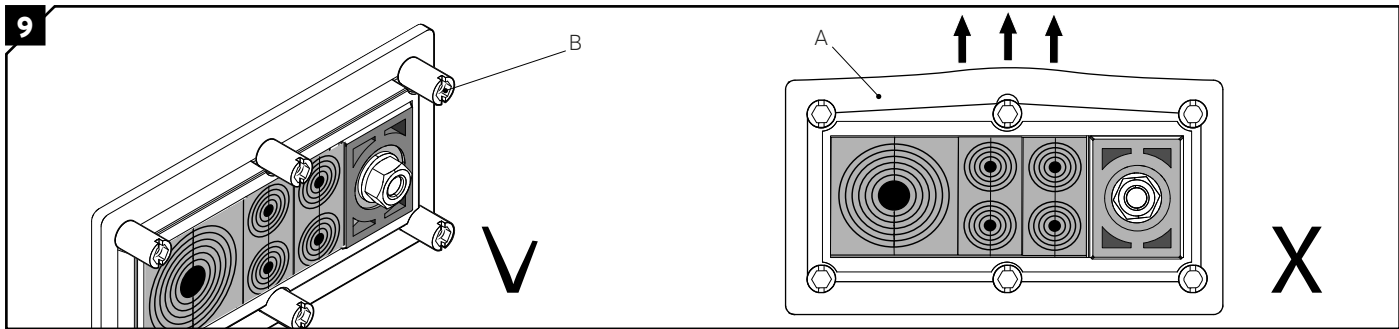
Check that all modules are within the edges of the frame.



Visible excess Roxtec Lubricant is a sign of good compression.



Check the orientation of the counterframe (A). The text on the counterframe shall face the structure. Ensure that no text is visible on the counterframe.



Ensure that the counterframe is not distorted (A). The counterframe shall be clamped by the nuts (B).



The cables shall go straight through the frame.

DISCLAIMER

*The Roxtec cable entry sealing system ("the Roxtec system") is a modular-based system of sealing products consisting of different components. Each and every one of the components is necessary for the best performance of the Roxtec system. The Roxtec system has been certified to resist a number of different hazards. Any such certification, and the ability of the Roxtec system to resist such hazards, is dependent on all components that are installed as a part of the Roxtec system. Thus, the certification is not valid and does not apply unless all components installed as part of the Roxtec system are manufactured by or under license from Roxtec ("authorized manufacturer"). Roxtec gives no performance guarantee with respect to the Roxtec system, unless (I) all components installed as part of the Roxtec system are manufactured by an authorized manufacturer and (II) the purchaser is in compliance with (a), and (b), below.

(a) During storage, the Roxtec system or part thereof, shall be kept indoors in its original packaging at room temperature.

(b) Installation shall be carried out in accordance with Roxtec installation instructions in effect from time to time.

The product information provided by Roxtec does not release the purchaser of the Roxtec system, or part thereof, from the obligation to independently

determine the suitability of the products for the intended process, installation and/or use.

Roxtec gives no guarantee for the Roxtec system or any part thereof and assumes no liability for any loss or damage whatsoever, whether direct, indirect, consequential, loss of profit or otherwise, occurred or caused by the Roxtec systems or installations containing components not manufactured by an authorized manufacturer and/or occurred or caused by the use of the Roxtec system in a manner or for an application other than for which the Roxtec system was designed or intended. Roxtec expressly excludes any implied warranties of merchantability and fitness for a particular purpose and all other express or implied representations and warranties provided by statute or common law. User determines suitability of the Roxtec system for intended use and assumes all risk and liability in connection therewith. In no event shall Roxtec be liable for indirect, consequential, punitive, special, exemplary or incidental damages or losses.*



Roxtec International AB

Box 540, 371 23 Karlskrona, SWEDEN

PHONE +46 455 36 67 00, FAX +46 455 820 12

EMAIL info@roxtec.com, www.roxtec.com